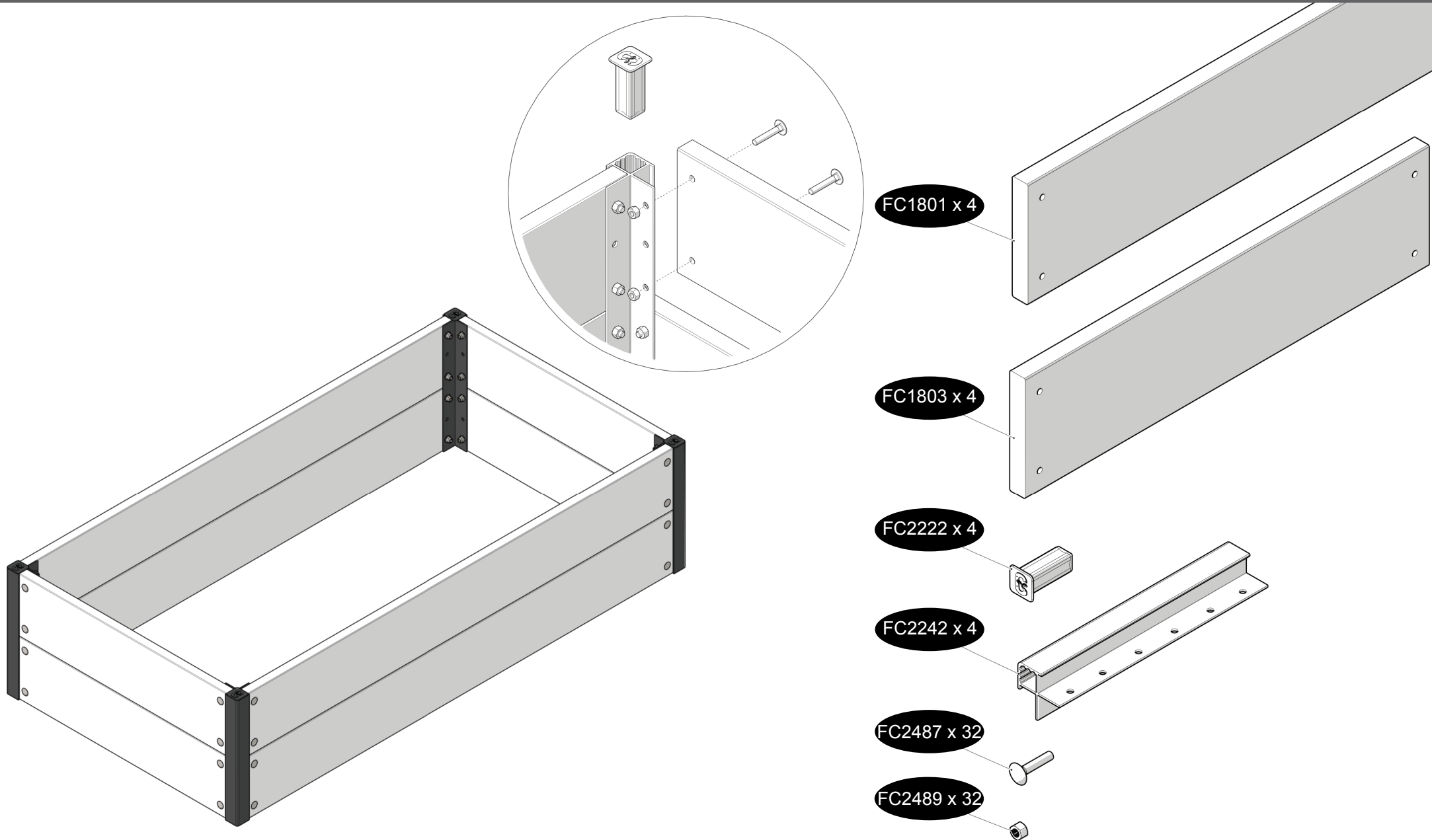




FC5236 Raised bed WOOD /30 120x62 cm



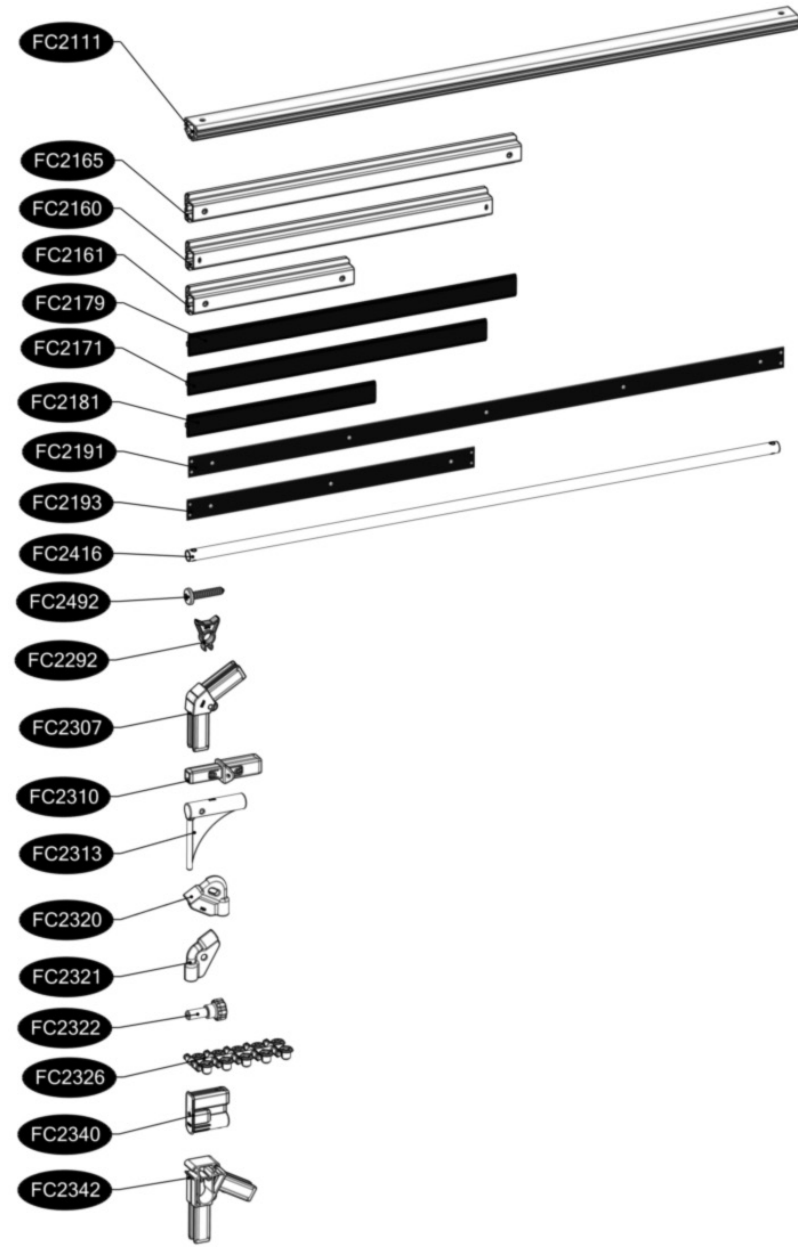
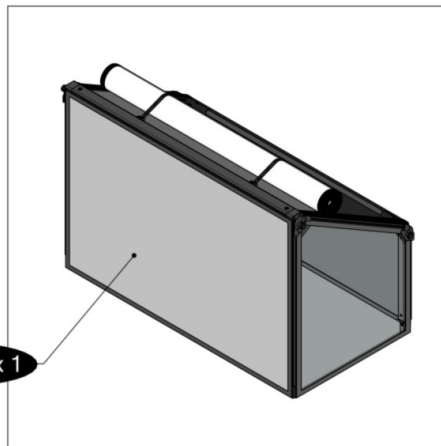
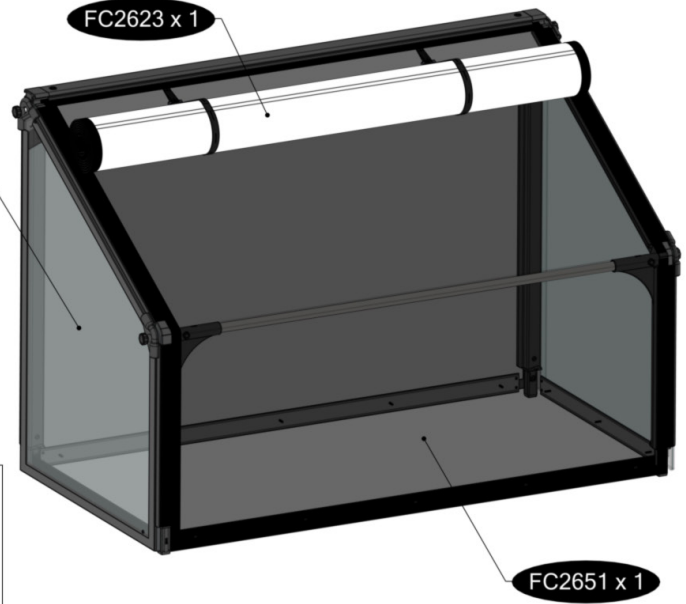
www.growcamp.dk
info@growcamp.dk

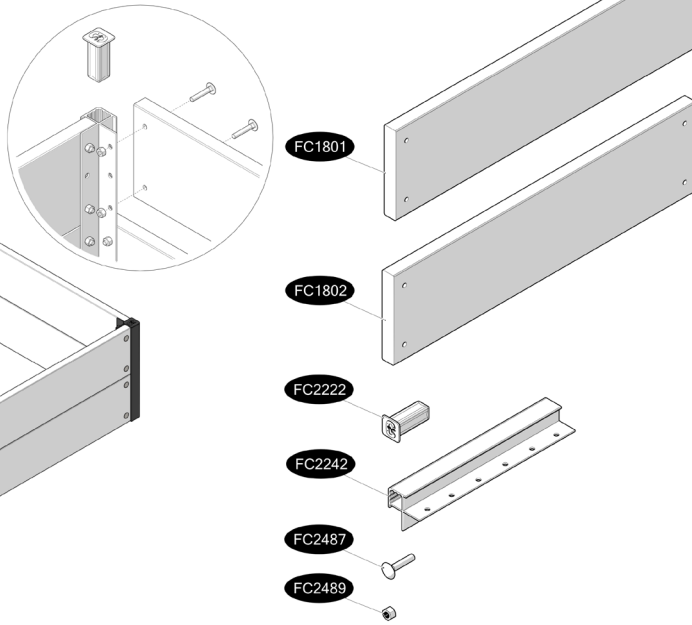
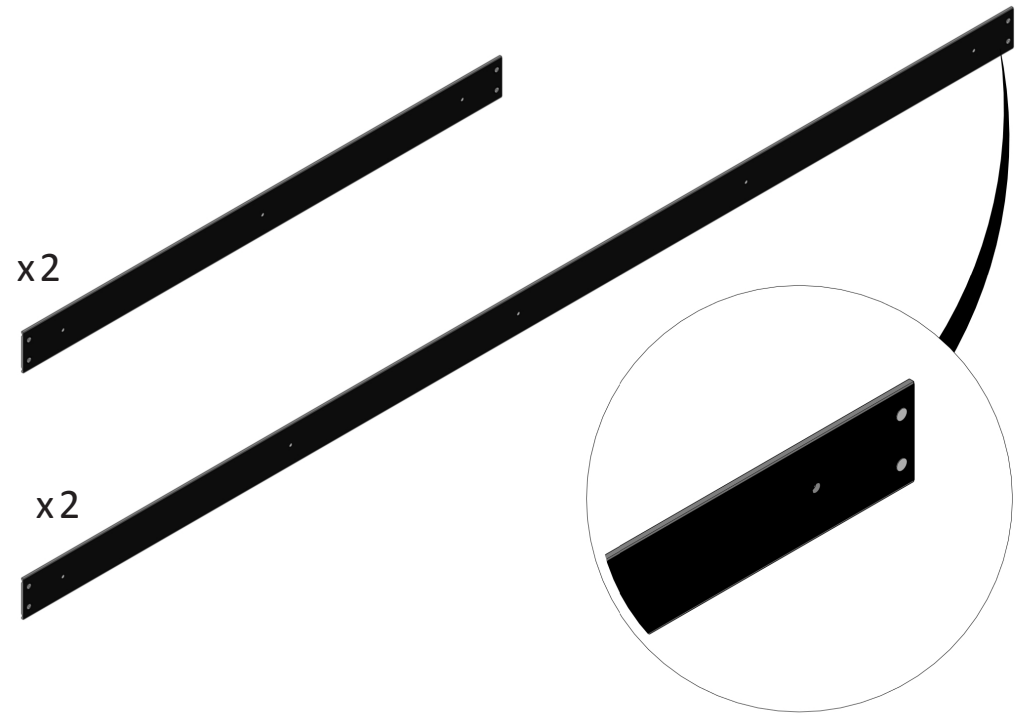
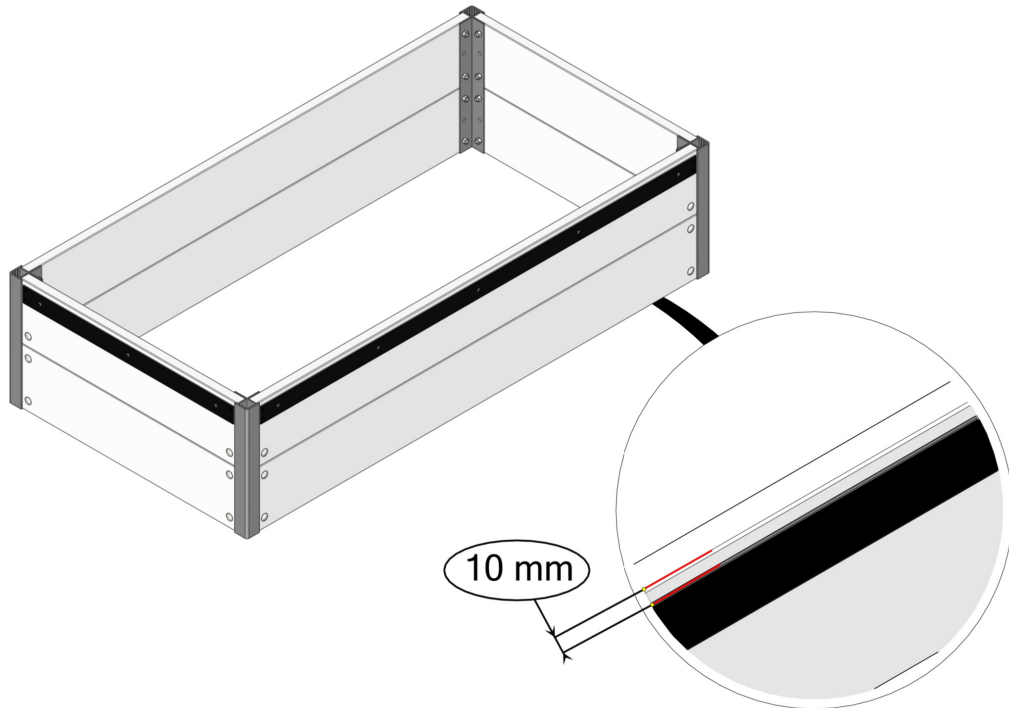
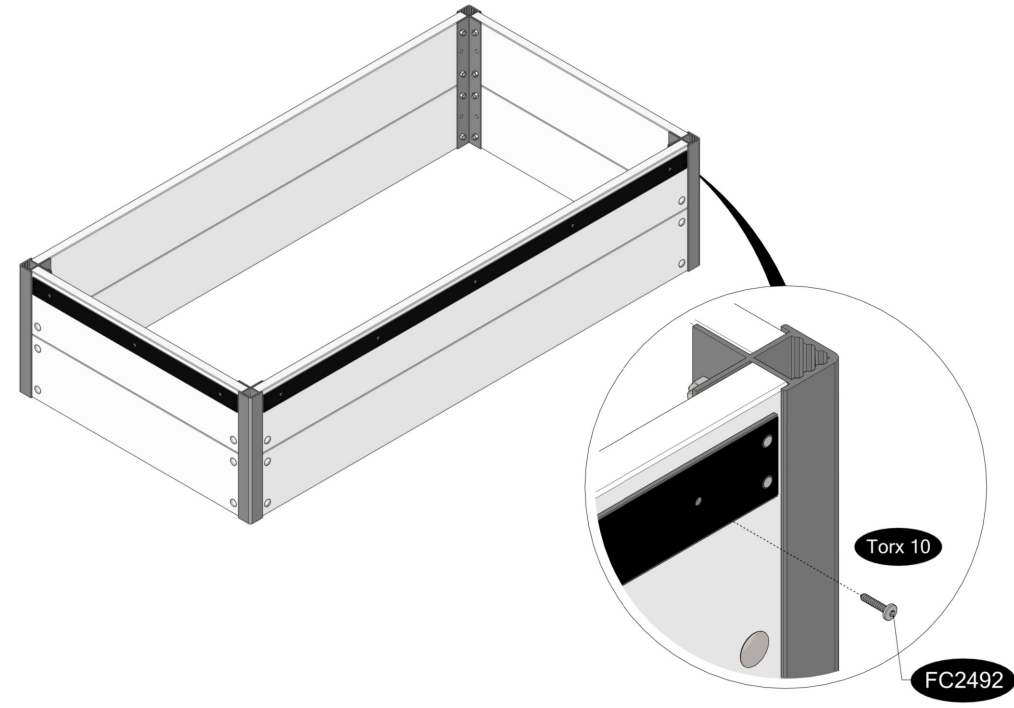


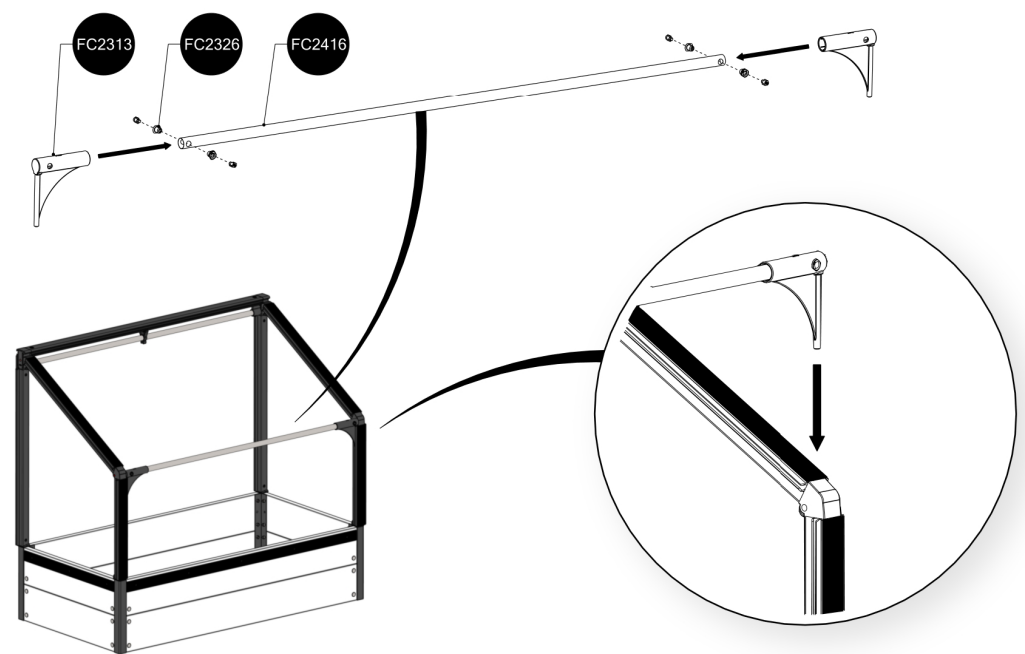
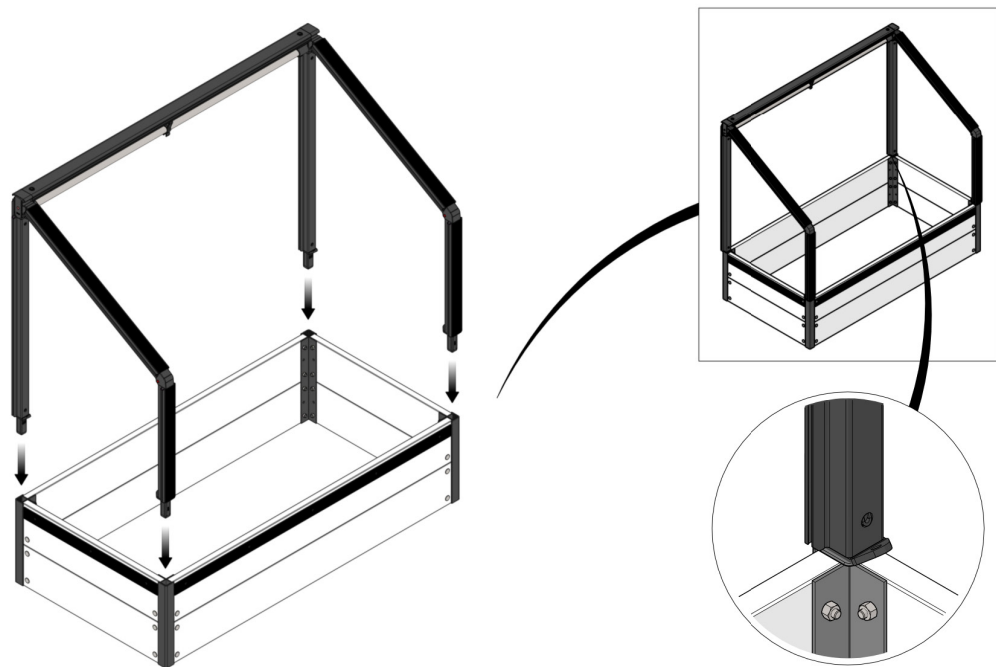
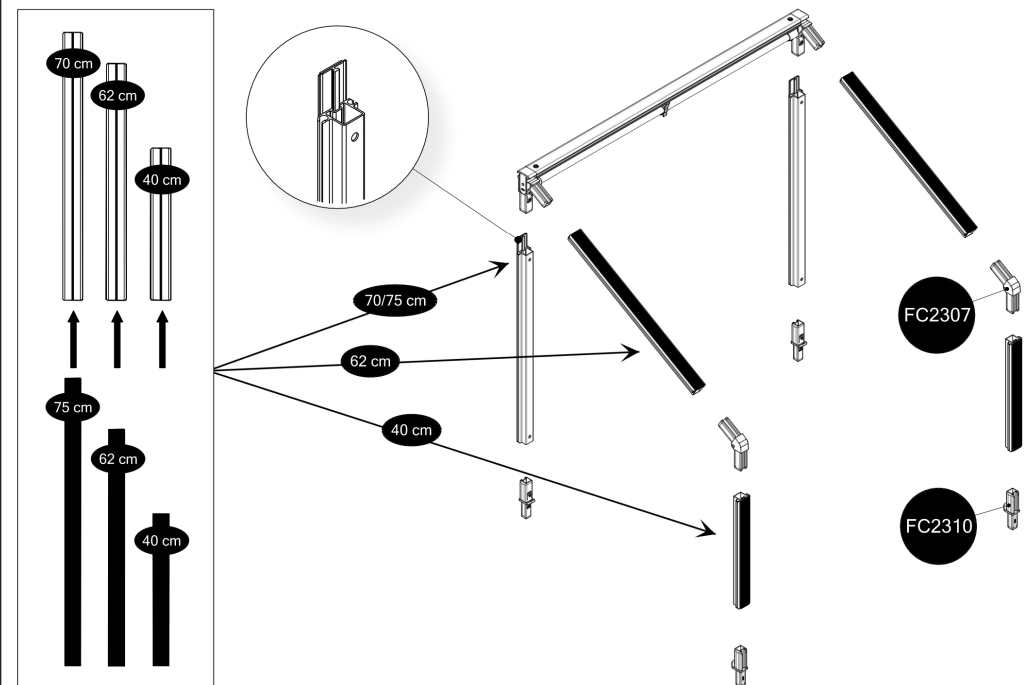
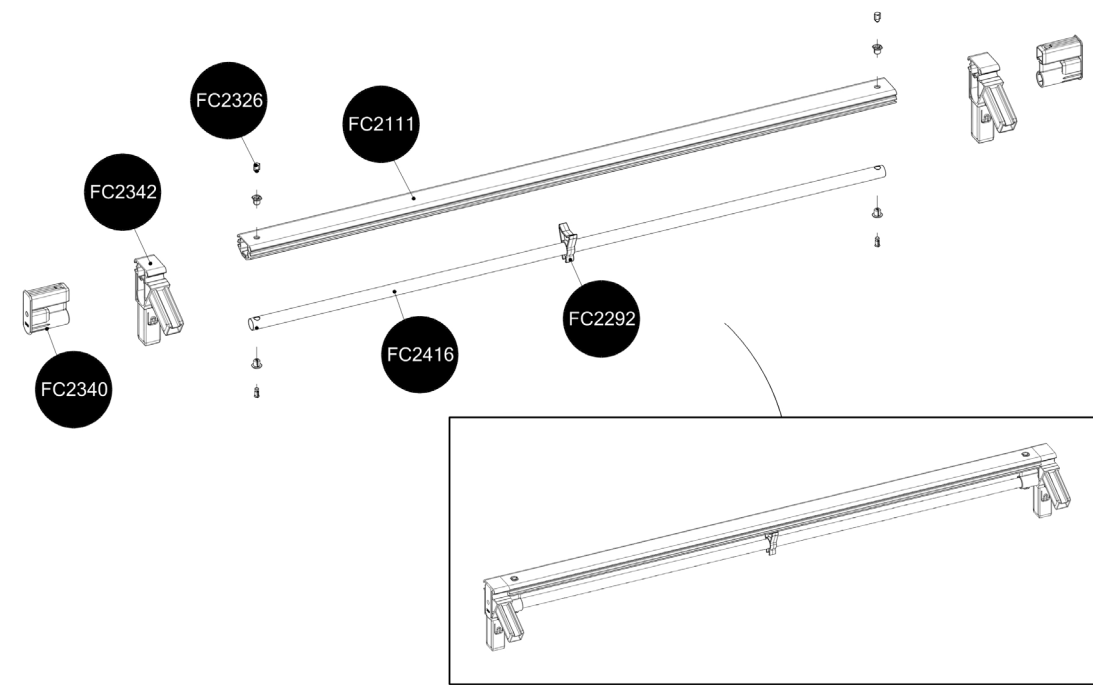
FC5446 Top section for WOOD 120x62 cm

- FC2111 1 pcs. 1140 mm
- FC2165 2 pcs. 703 mm
- FC2160 2 pcs. 621 mm
- FC2161 2 pcs. 400 mm
- FC2179 2 pcs. 752 mm
- FC2171 2 pcs. 619 mm
- FC2181 2 pcs. 398 mm
- FC2191 2 pcs. 1128 mm wood
- FC2193 2 pcs. 545 mm wood
- FC2416 2 pcs. Ø19 x 1116 mm
- FC2492 16 pcs. 3,5 x 16 mm torx 10
- FC2292 1 pcs.
- FC2307 2 pcs.
- FC2310 4 pcs.
- FC2313 2 pcs.
- FC2320 2 pcs.
- FC2321 2 pcs.
- FC2322 4 pcs.
- FC2326 2 pcs.
- FC2340 2 pcs.
- FC2342 2 pcs.

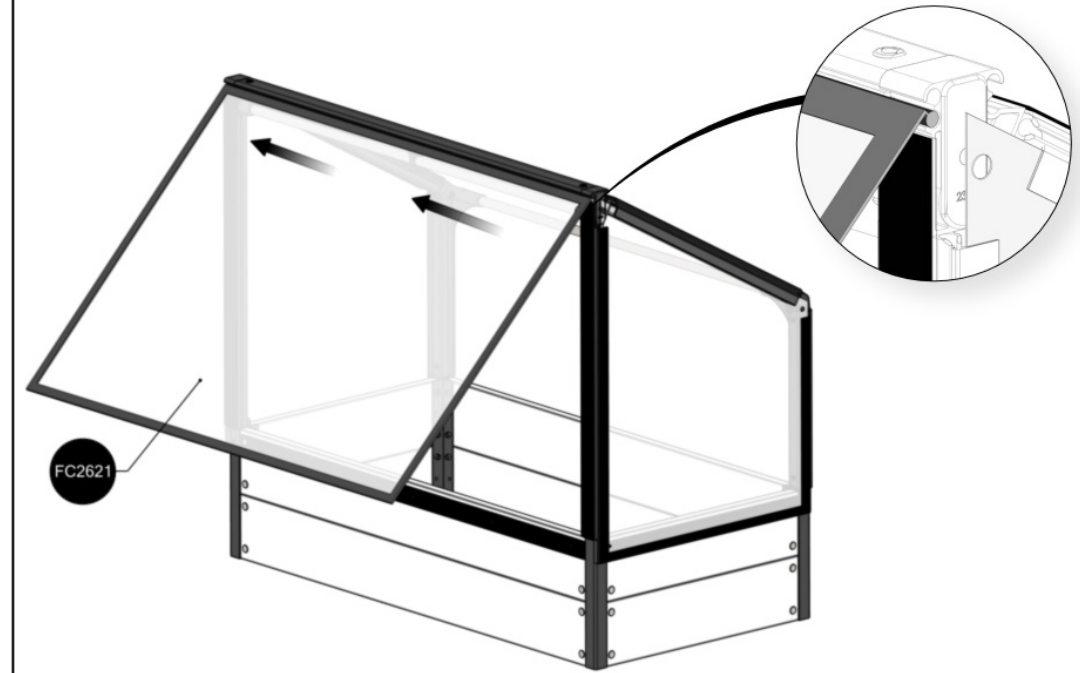
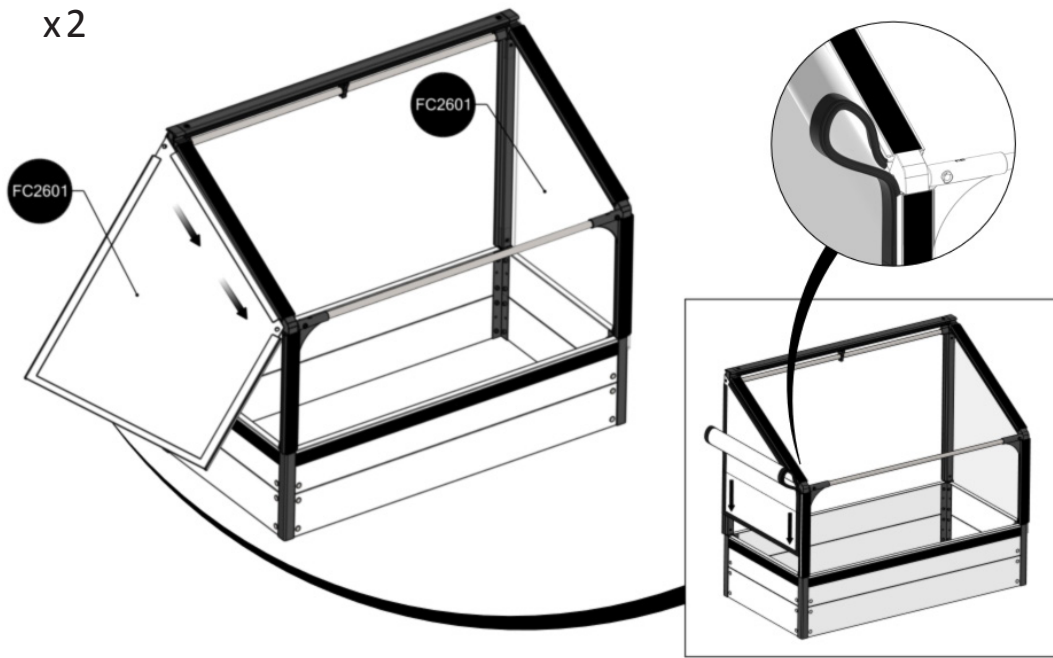
- FC2601 2 pcs.
- FC2621 1 pcs.
- FC2623 1 pcs.
- FC2651 1 pcs.



1**BASIC**
manual FC5236**2****3****4**

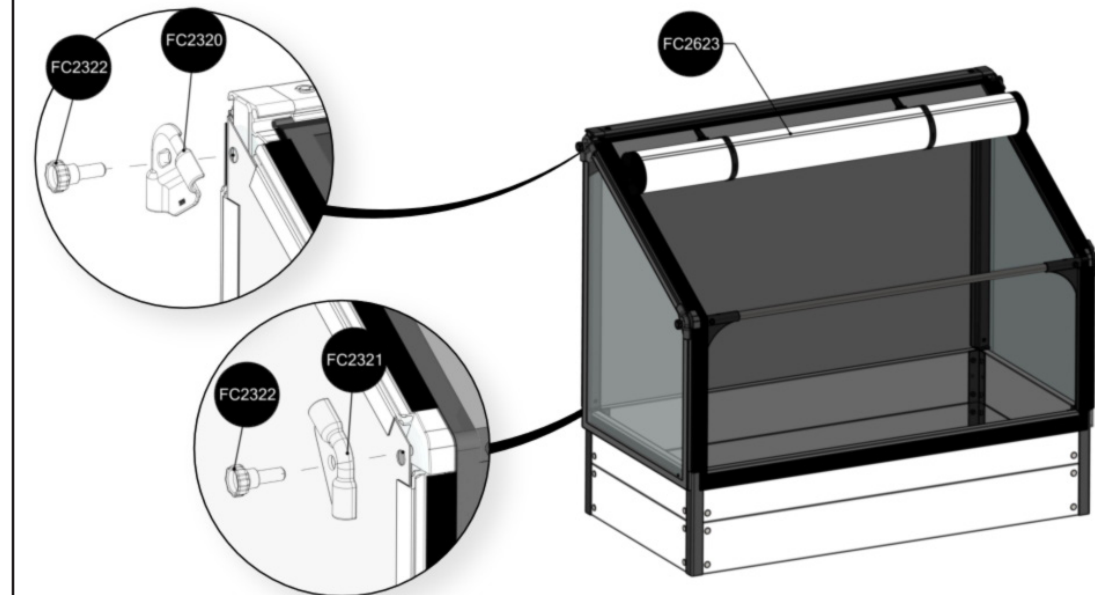
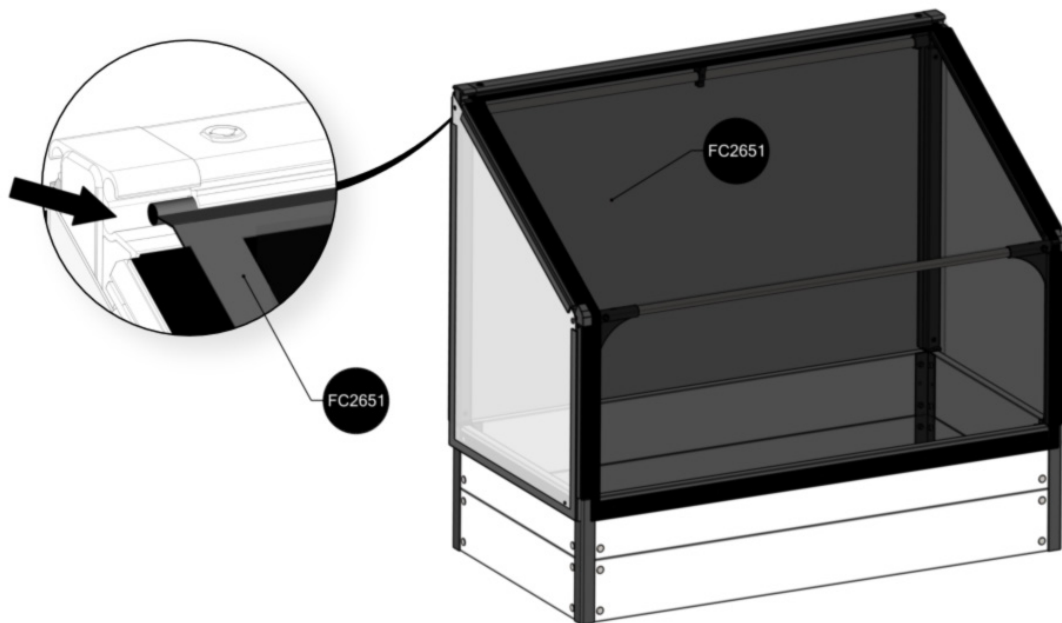


x2



11

12



At temperatures more than 30 °C/ 90 °F the plastic sides must be opened when the GrowCamp is mounted.