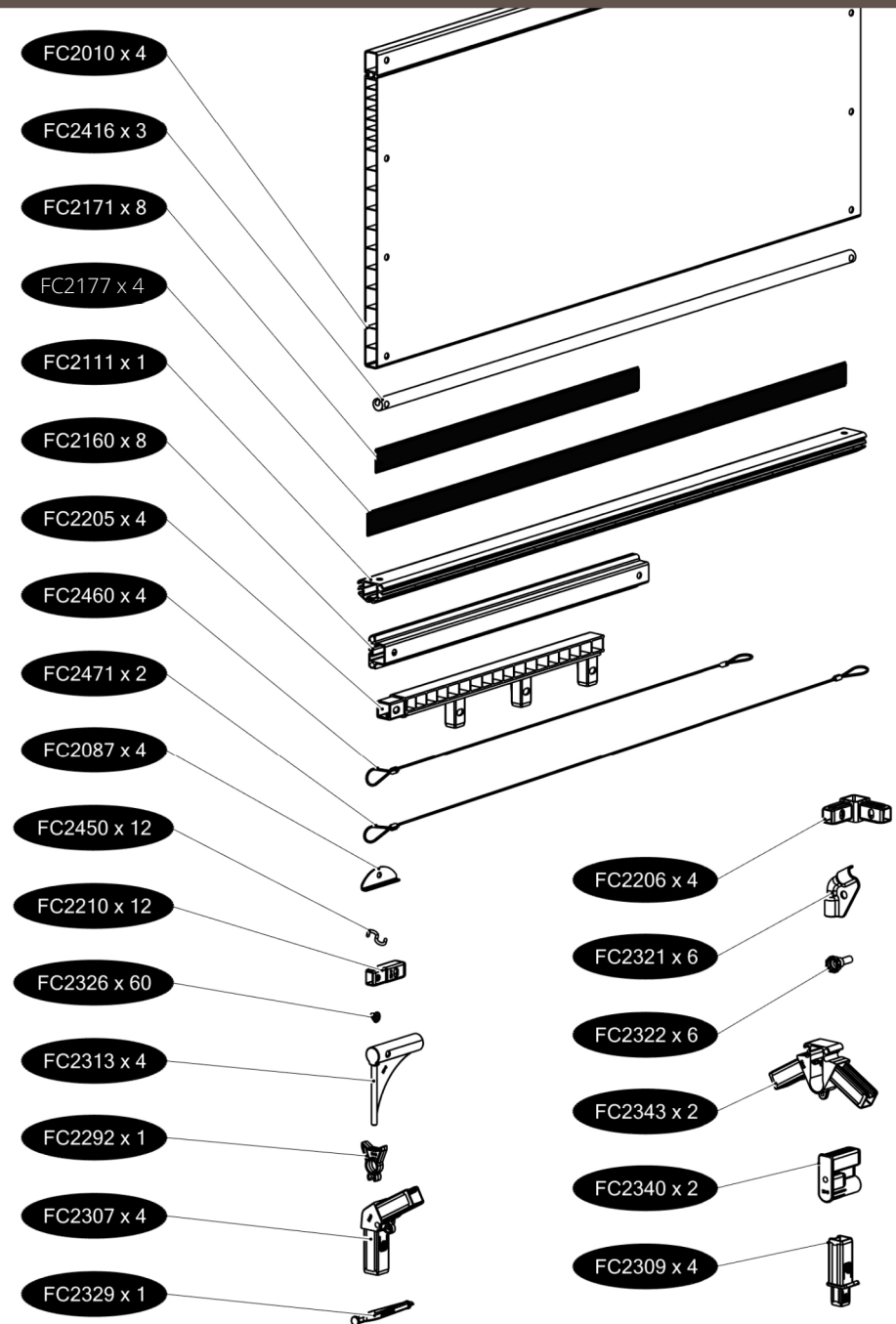
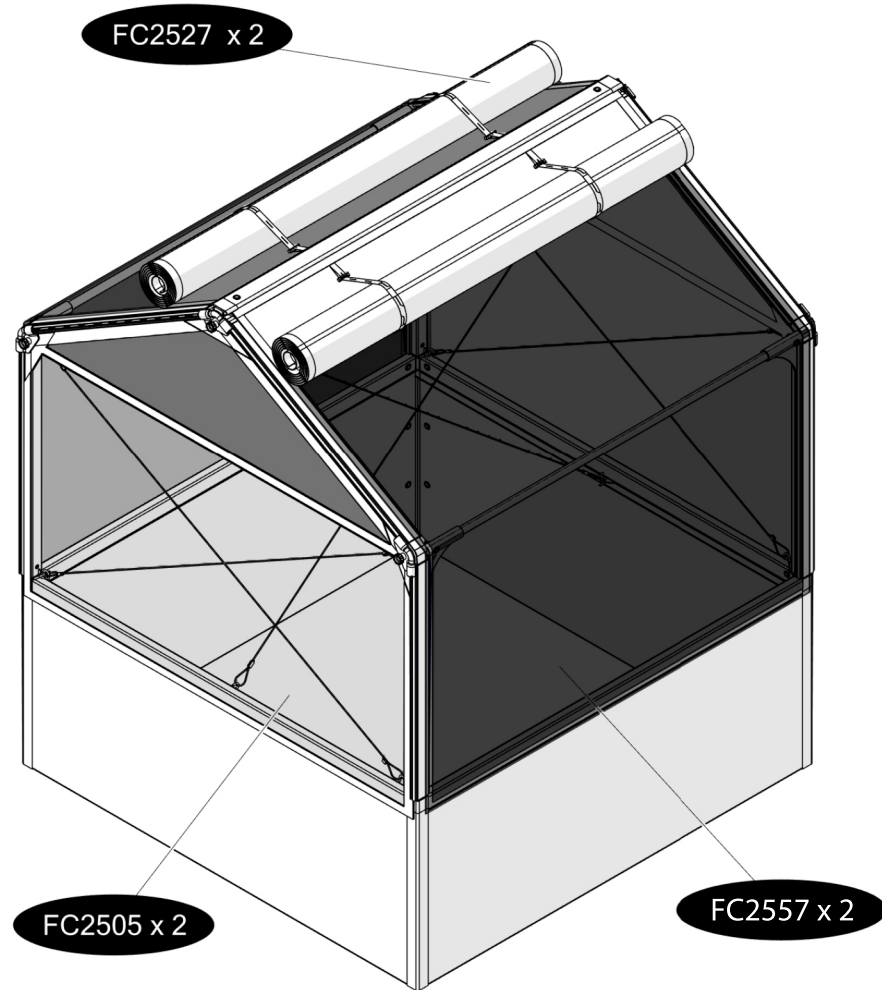




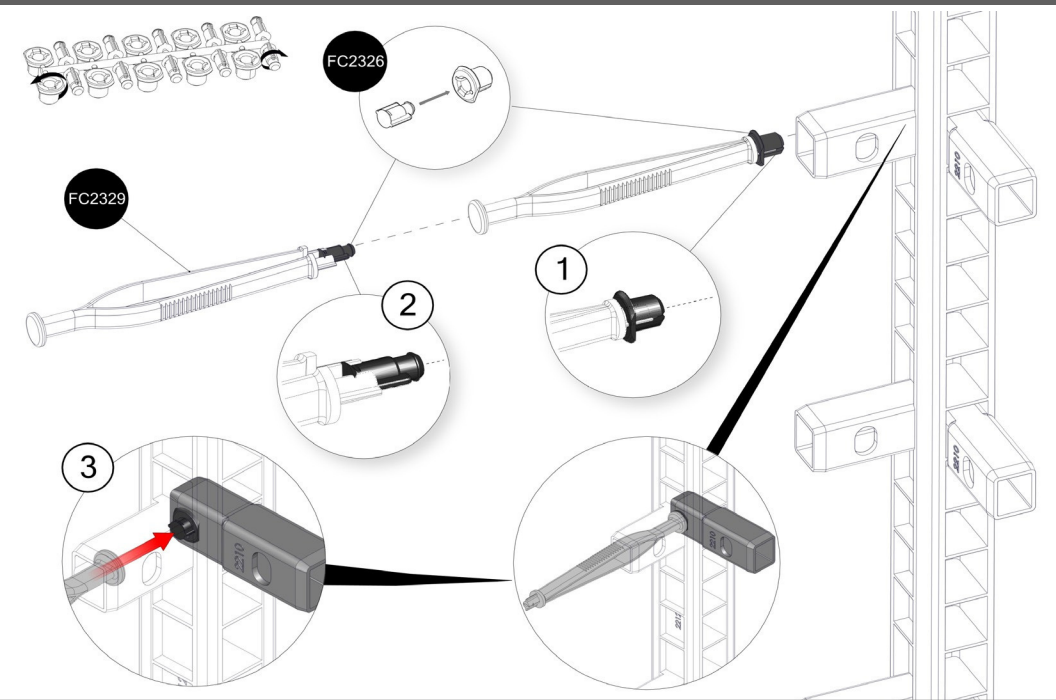
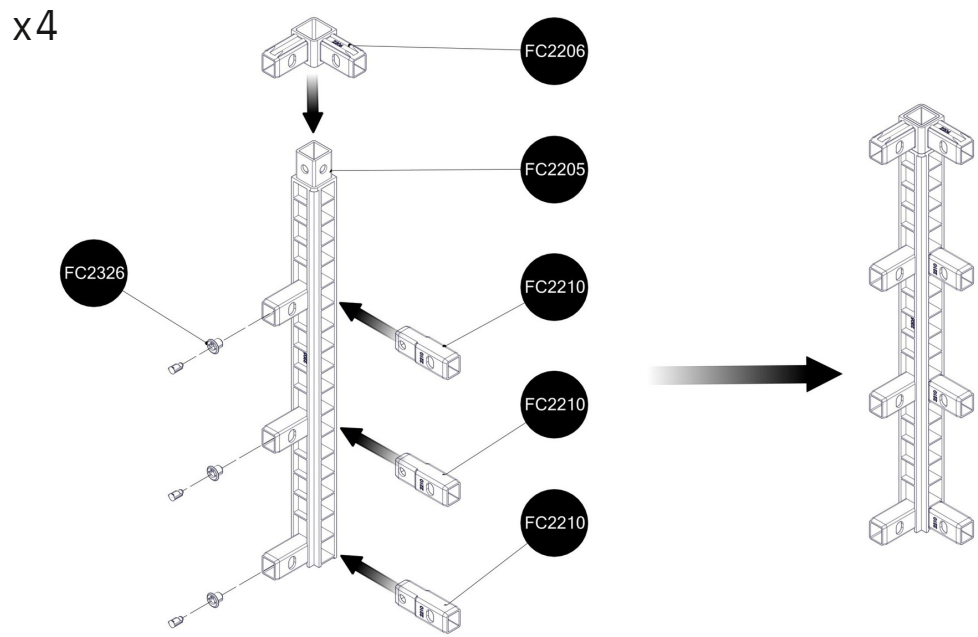
# FC3021 GrowCamp/50 120x120 cm BASIC



www.growcamp.dk  
info@growcamp.dk

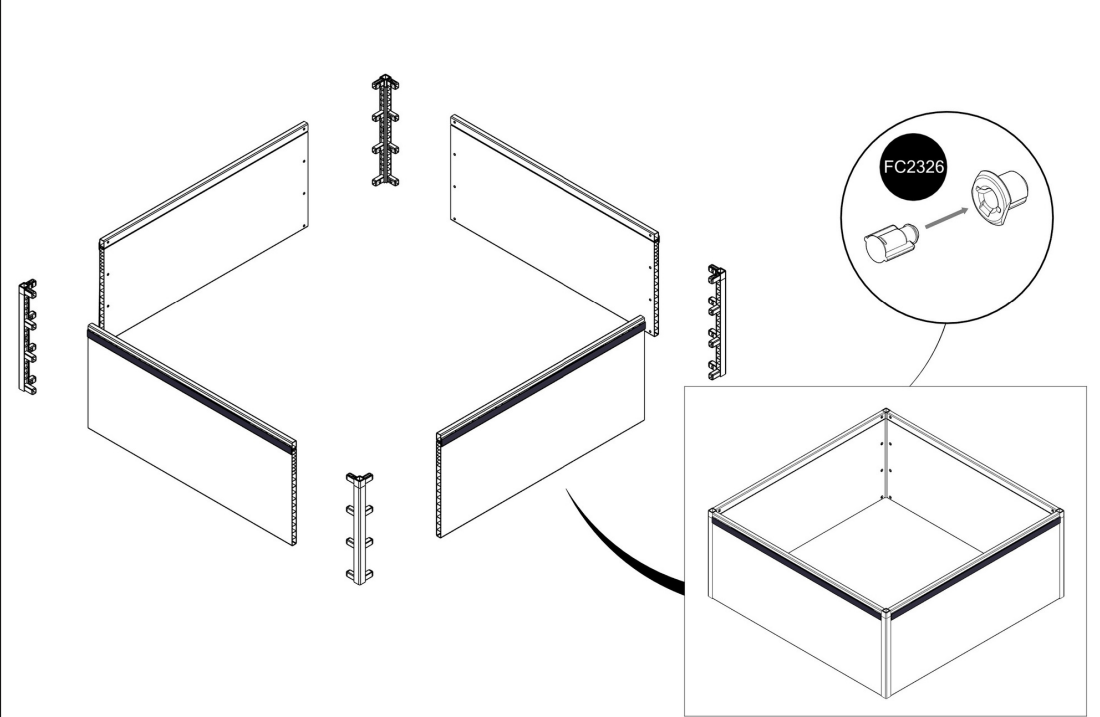
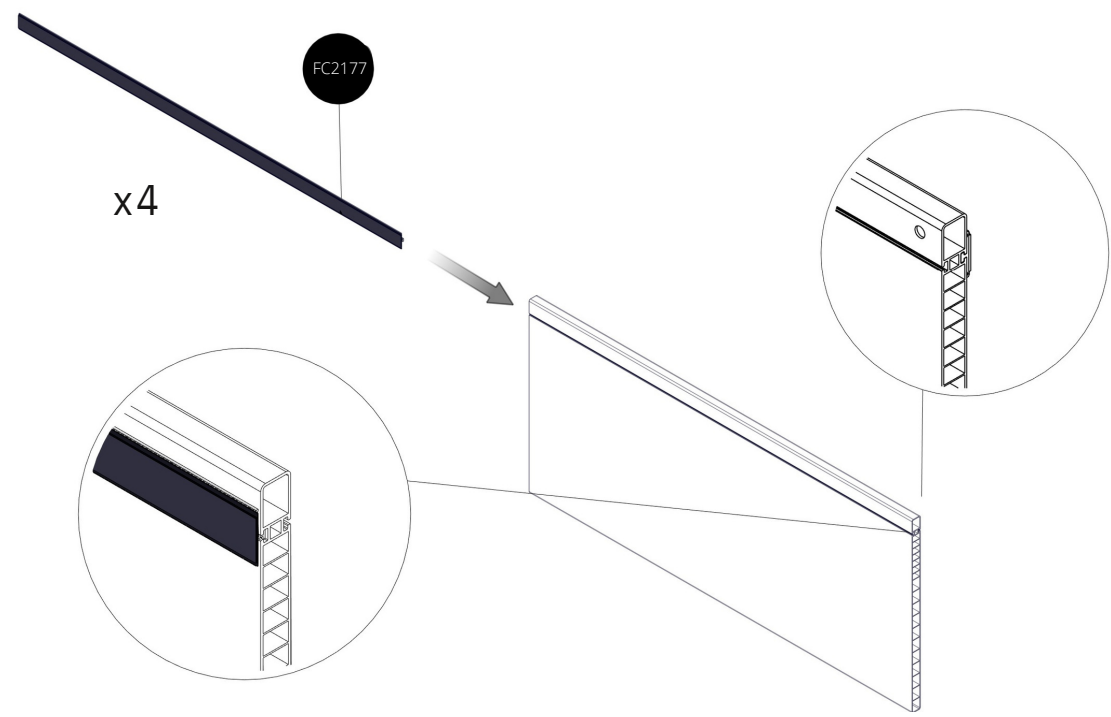
# 1 FC3021 GrowCamp/50 120x120 cm BASIC

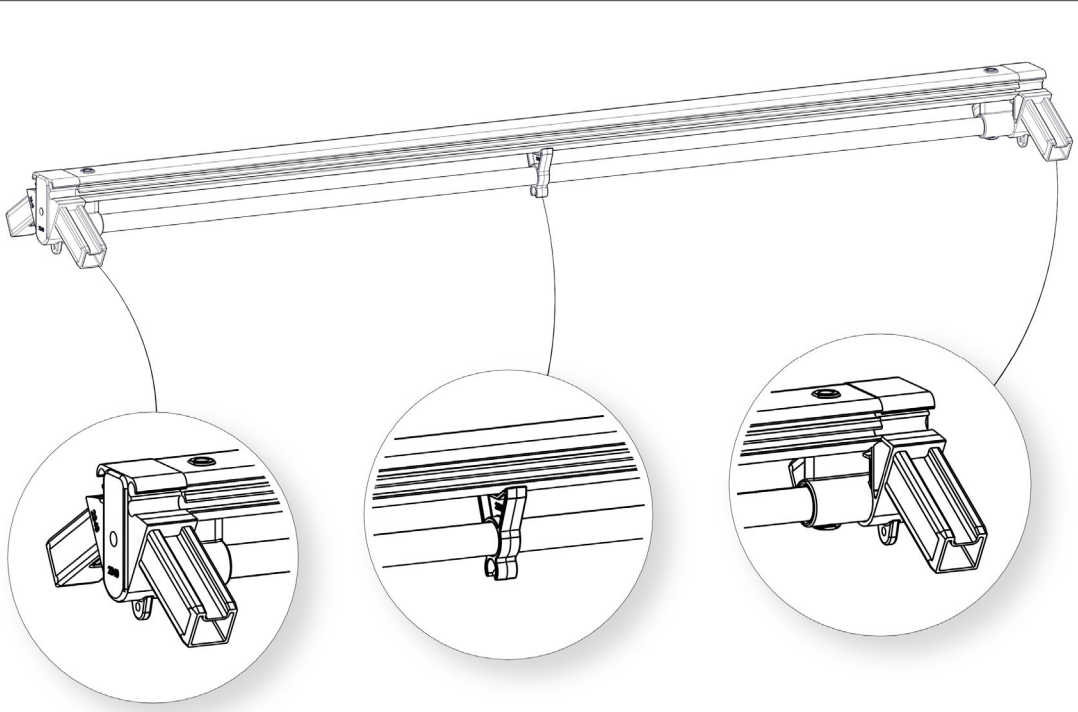
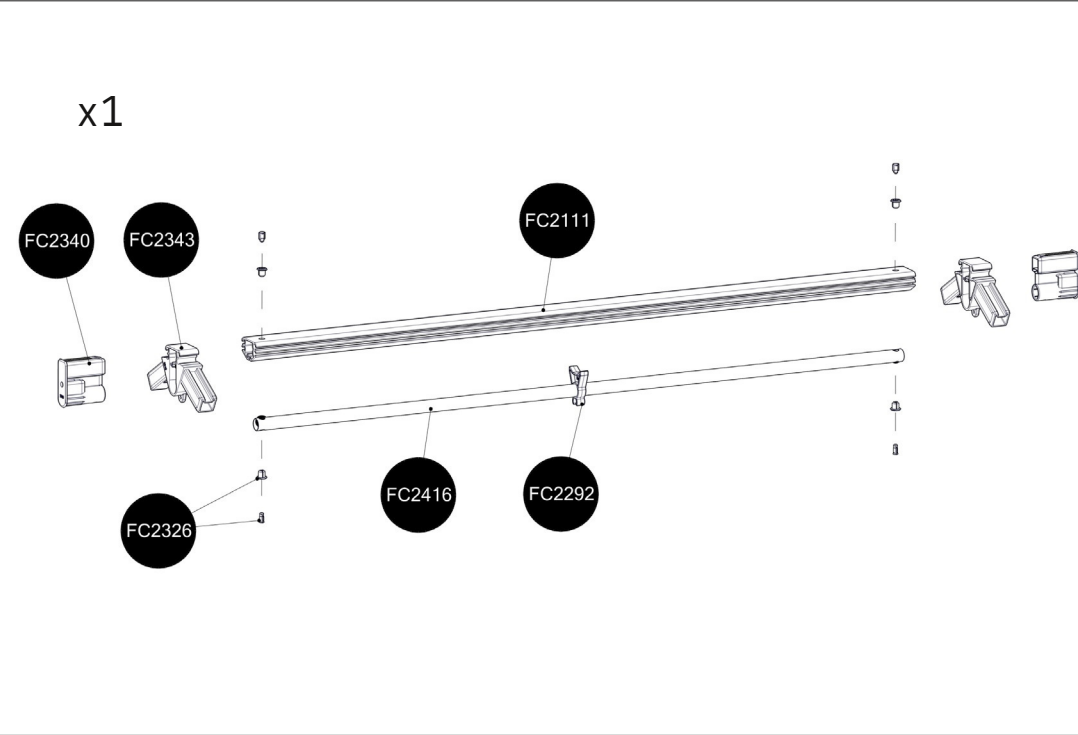
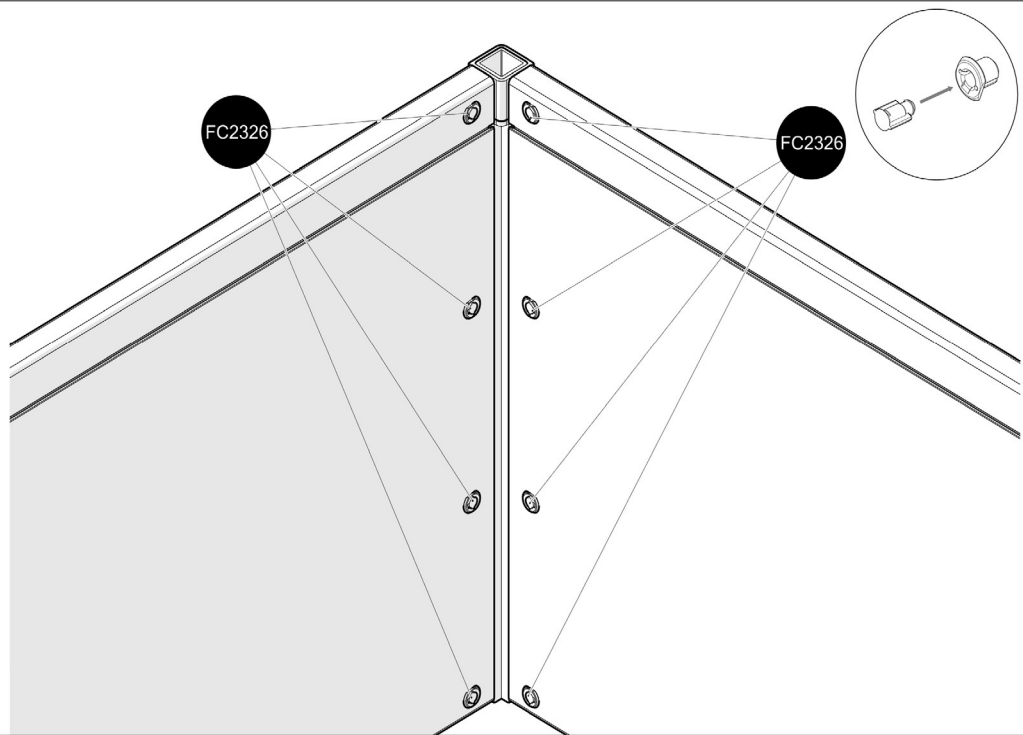
# 2

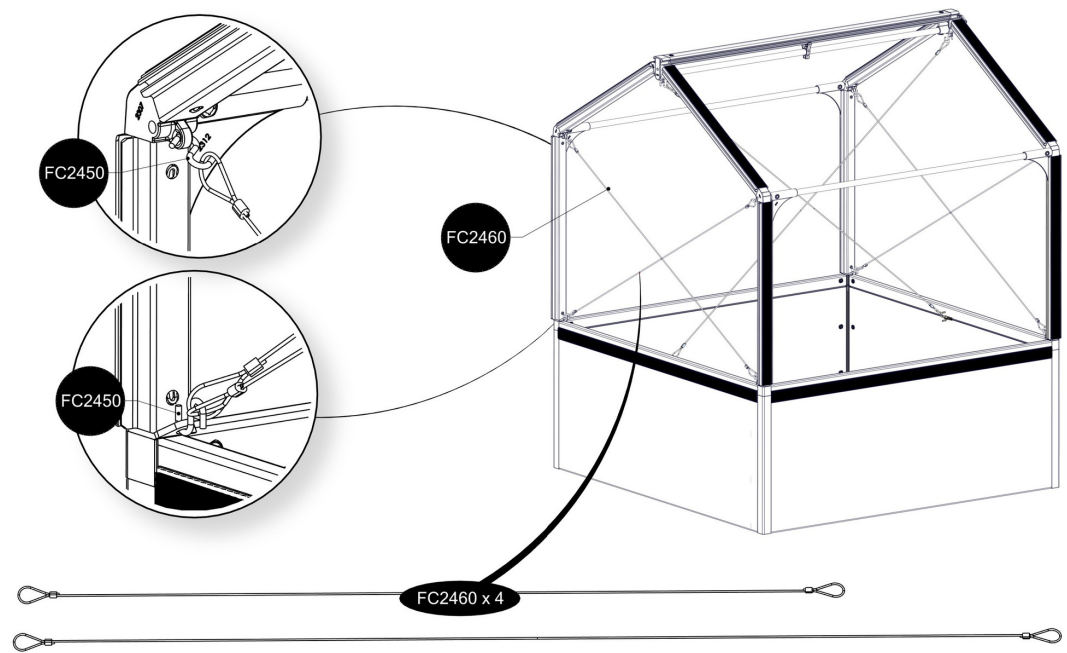
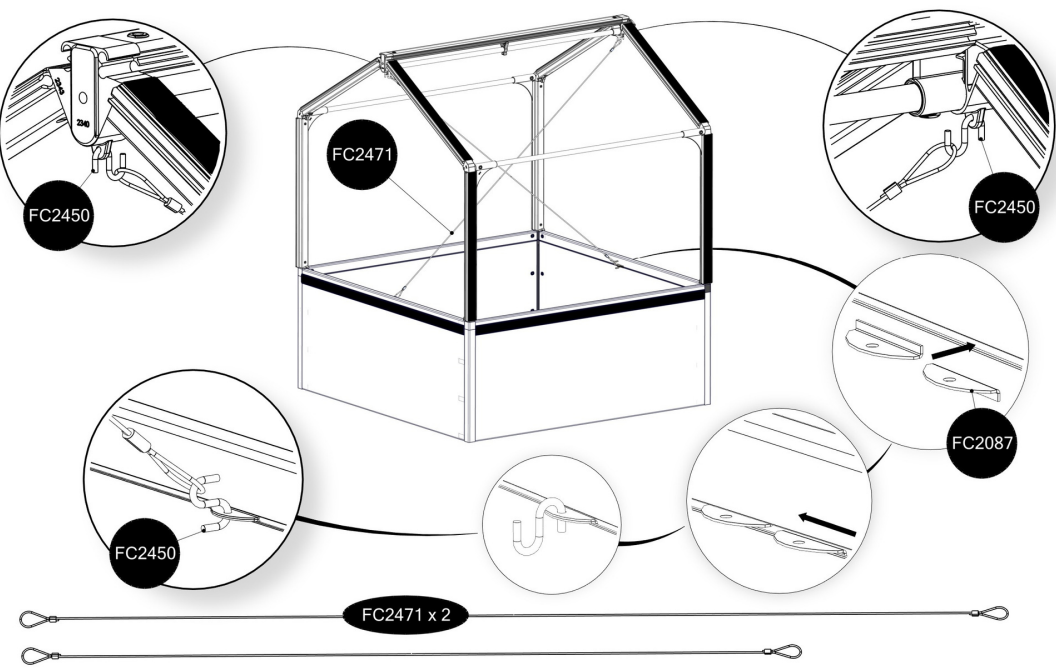
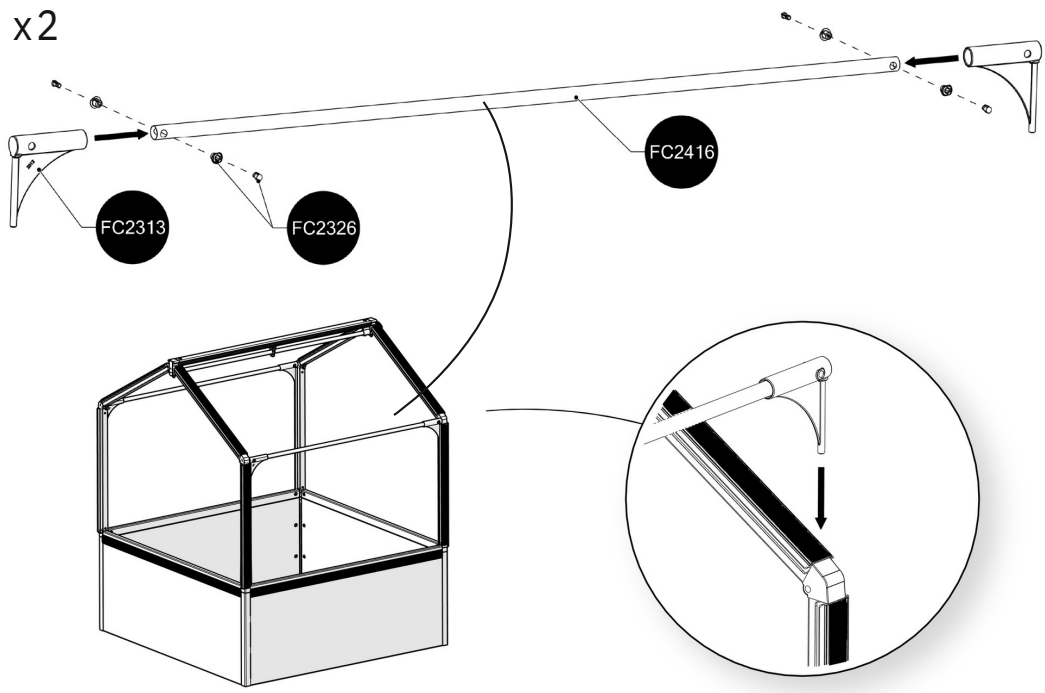
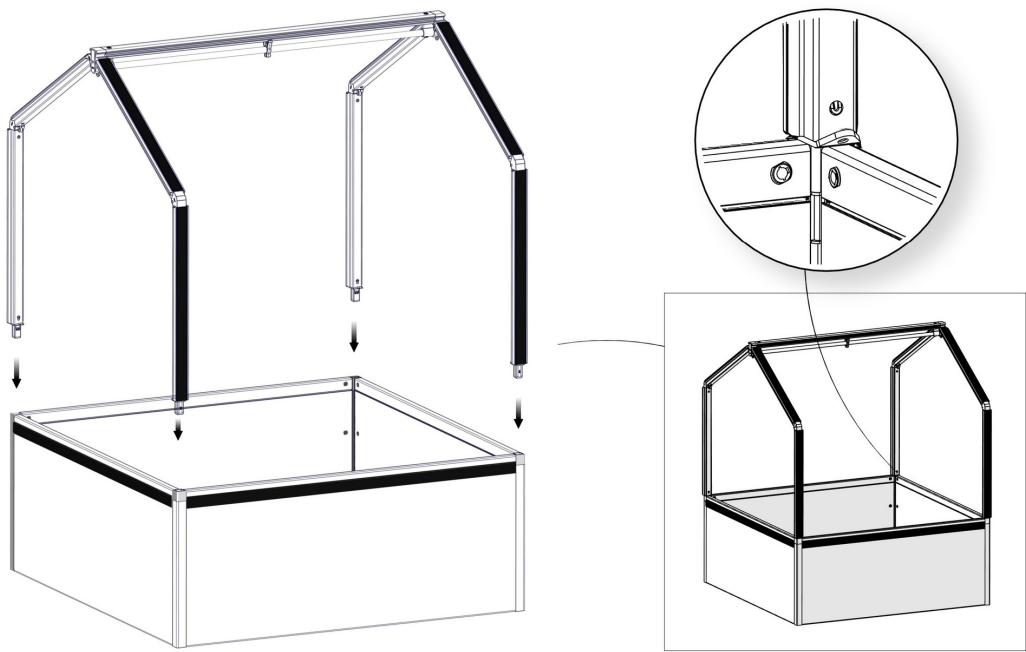


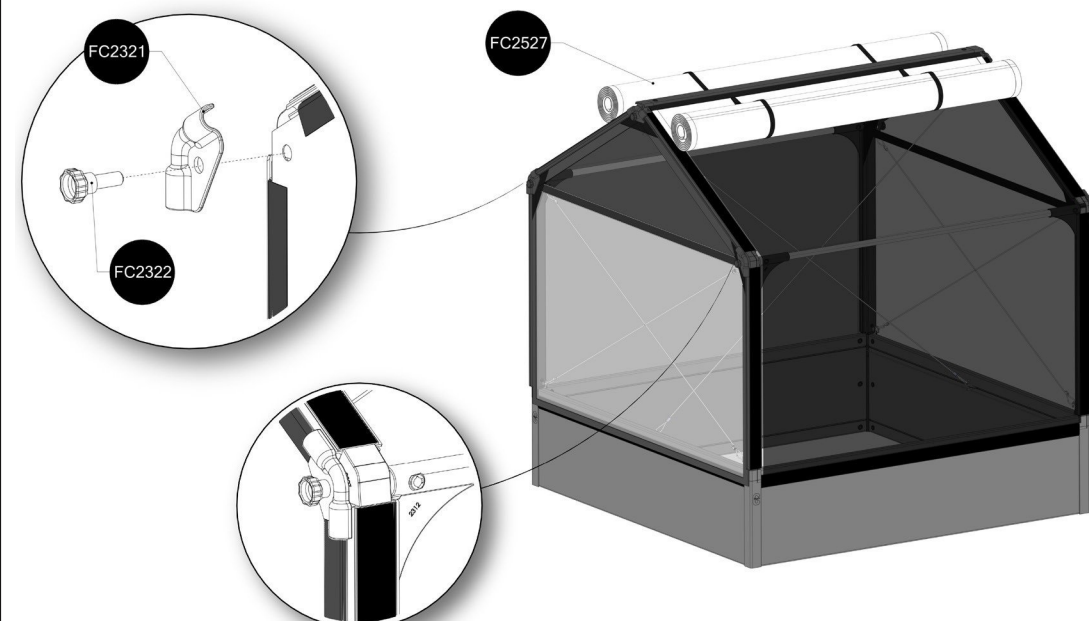
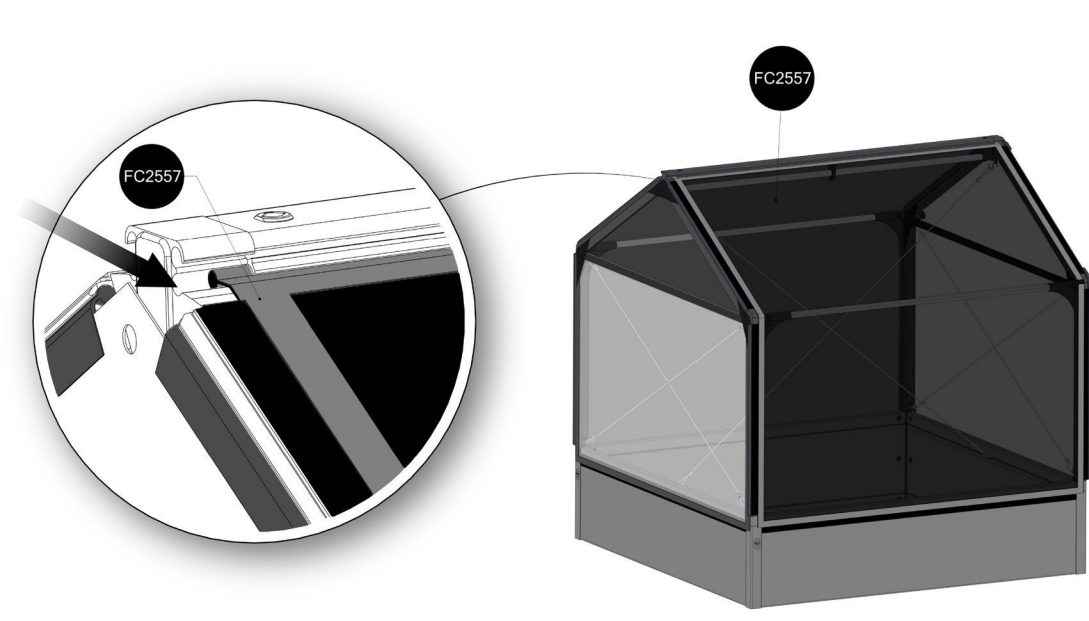
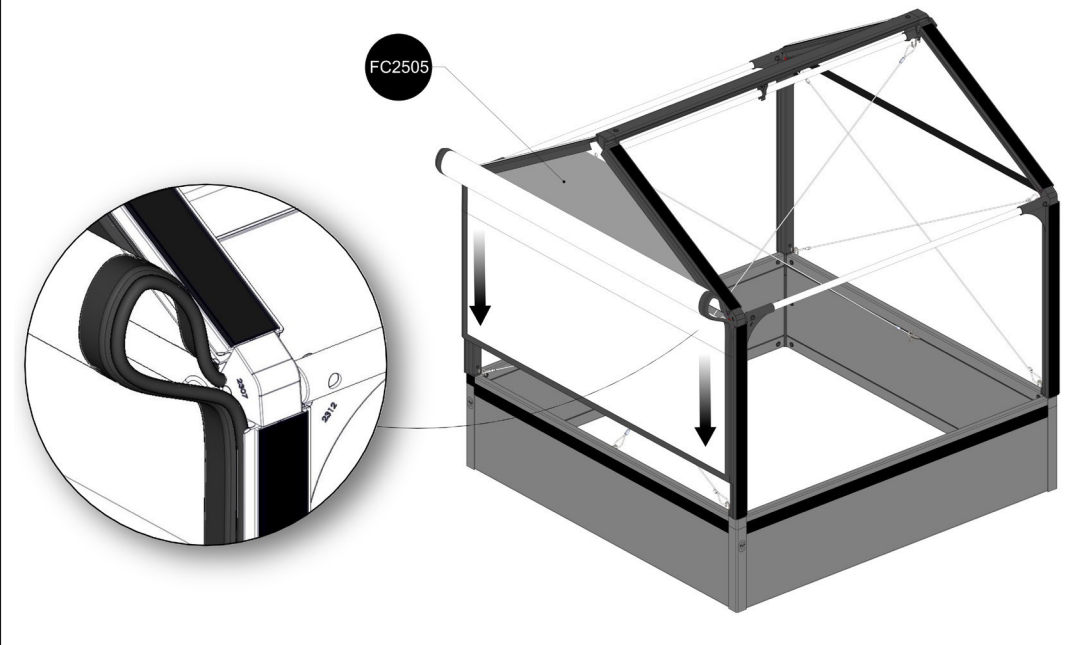
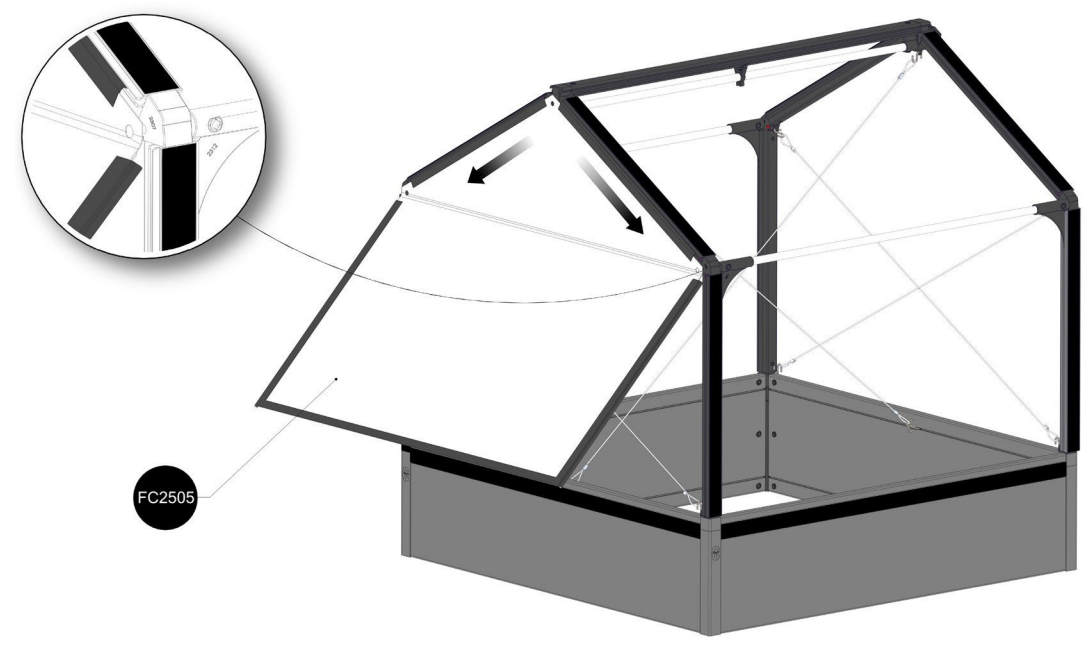
# 3

# 4





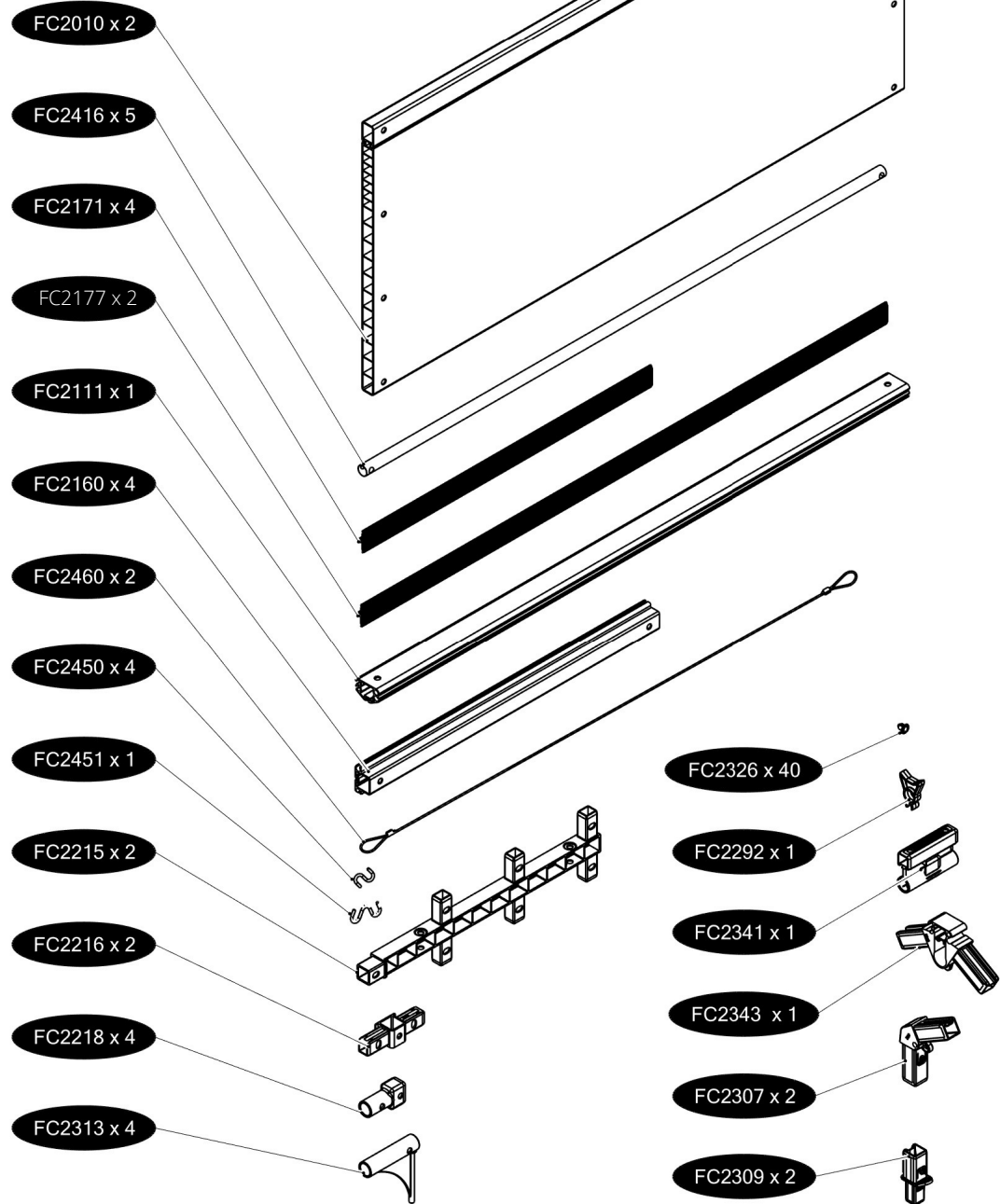
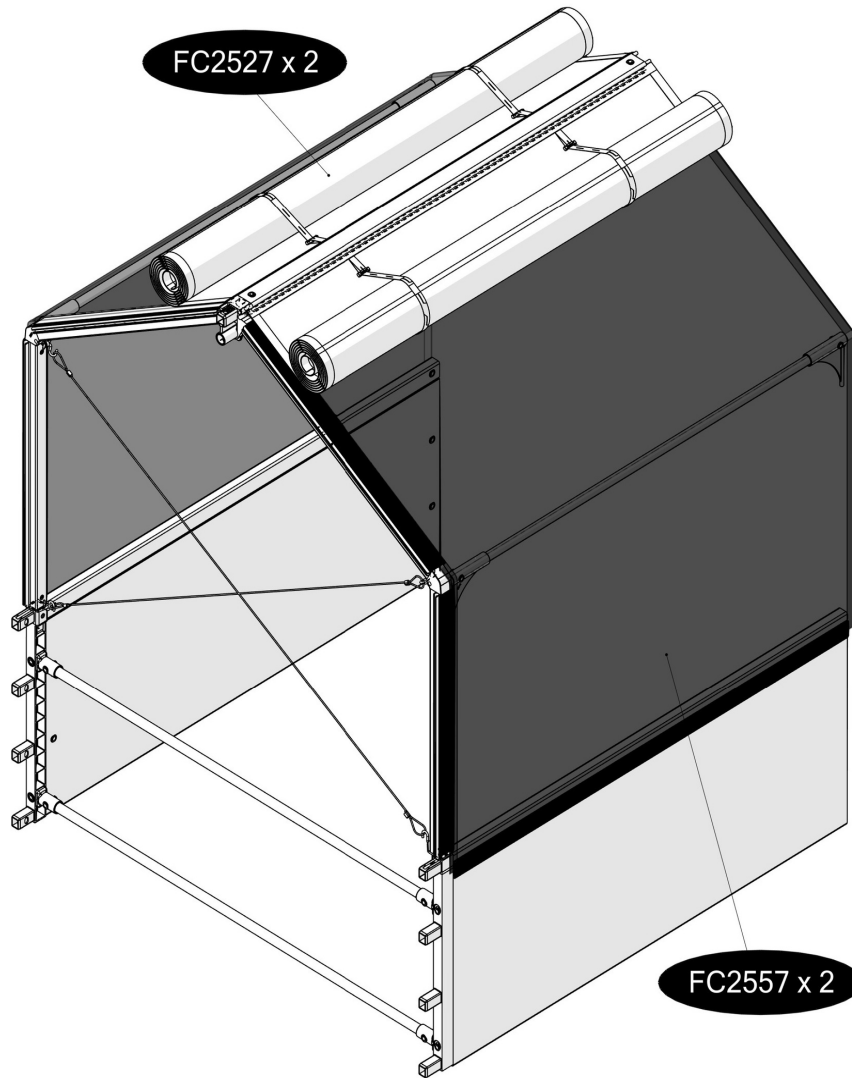




At temperatures more than 30 °C/ 90 °F the plastic sides must be opened when the GrowCamp is mounted.

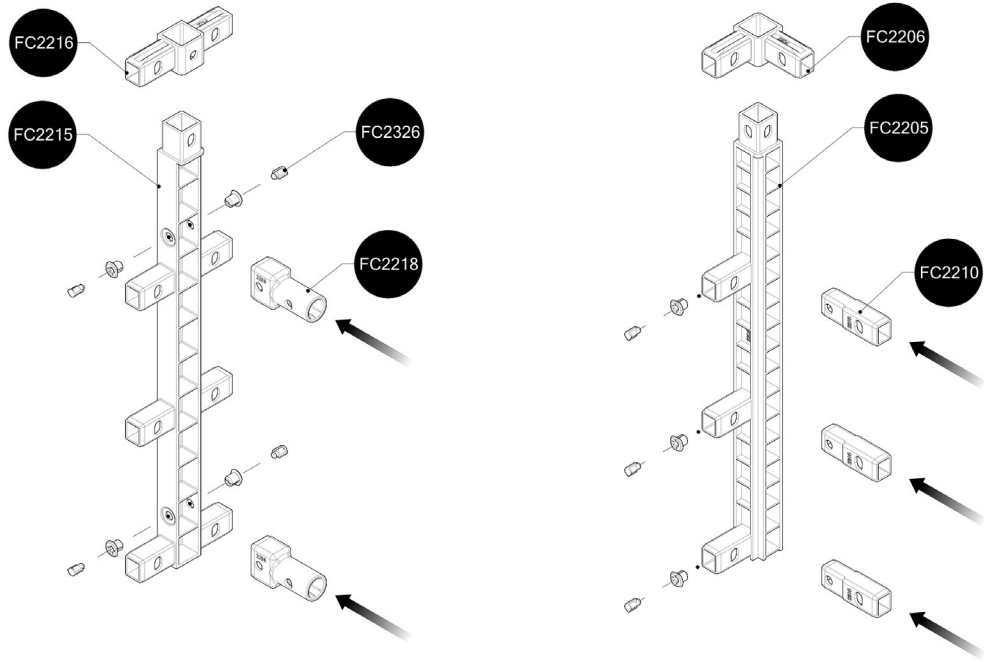


# FC3041 GrowCamp/50 120x120 cm

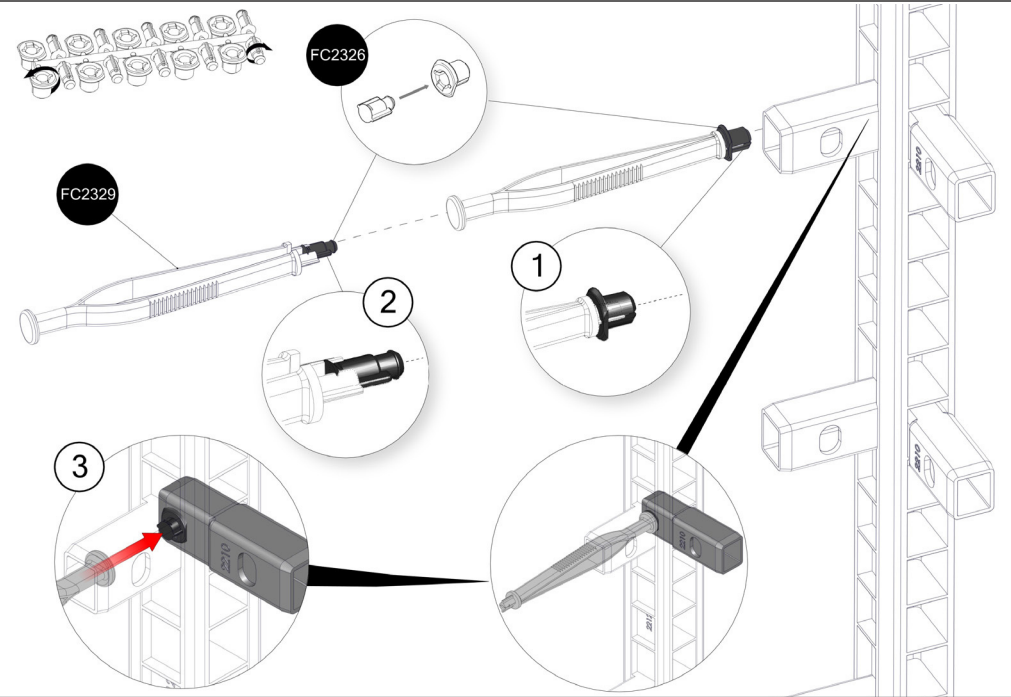


www.growcamp.dk  
info@growcamp.dk

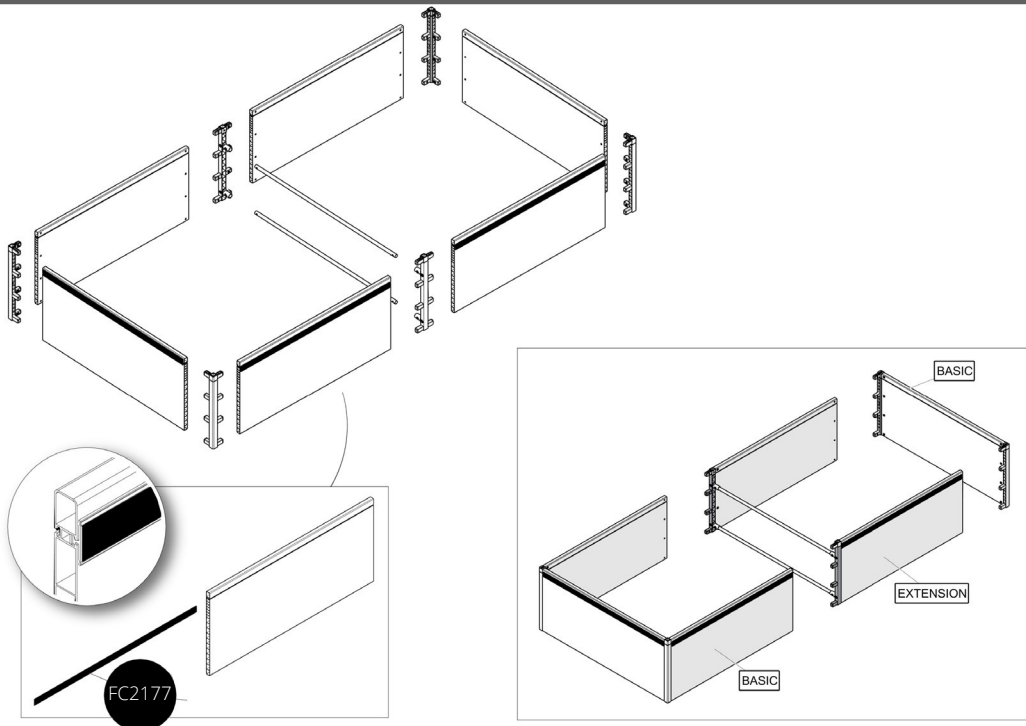
# 1 FC3041 GrowCamp/50 120x120 cm



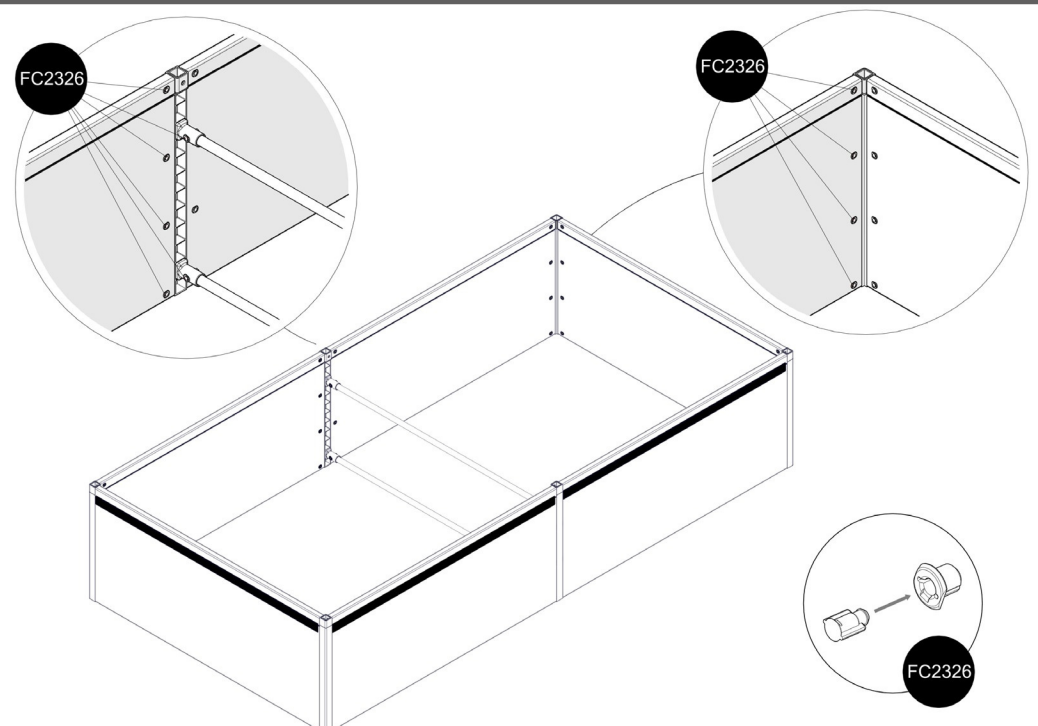
# 2

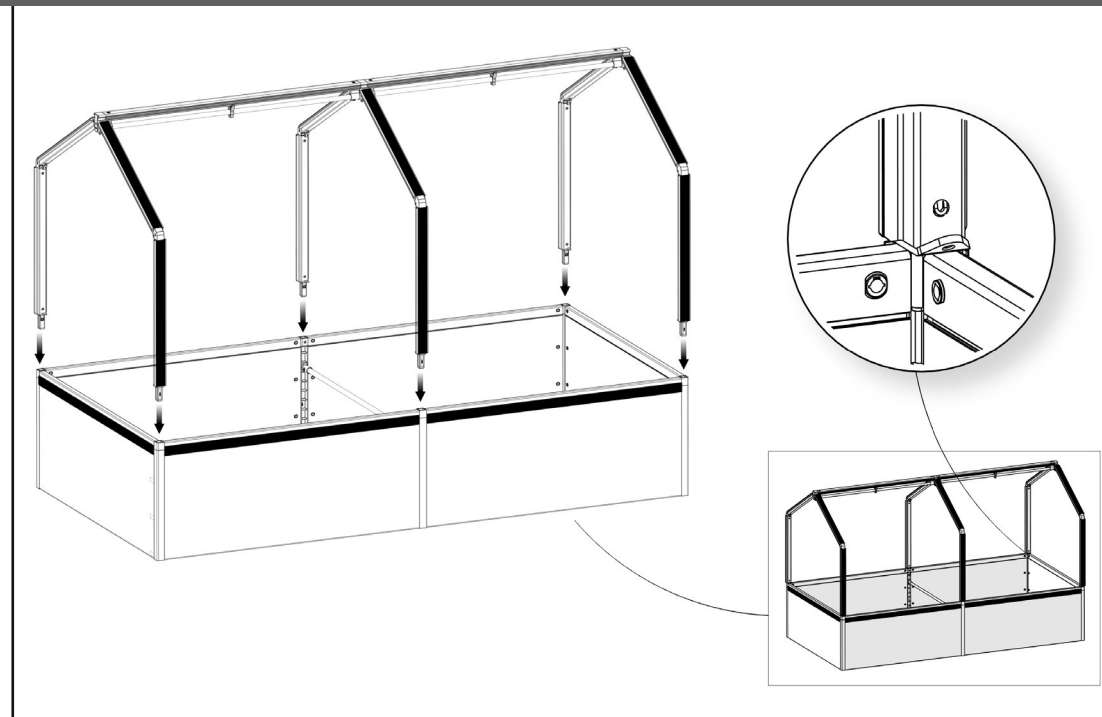
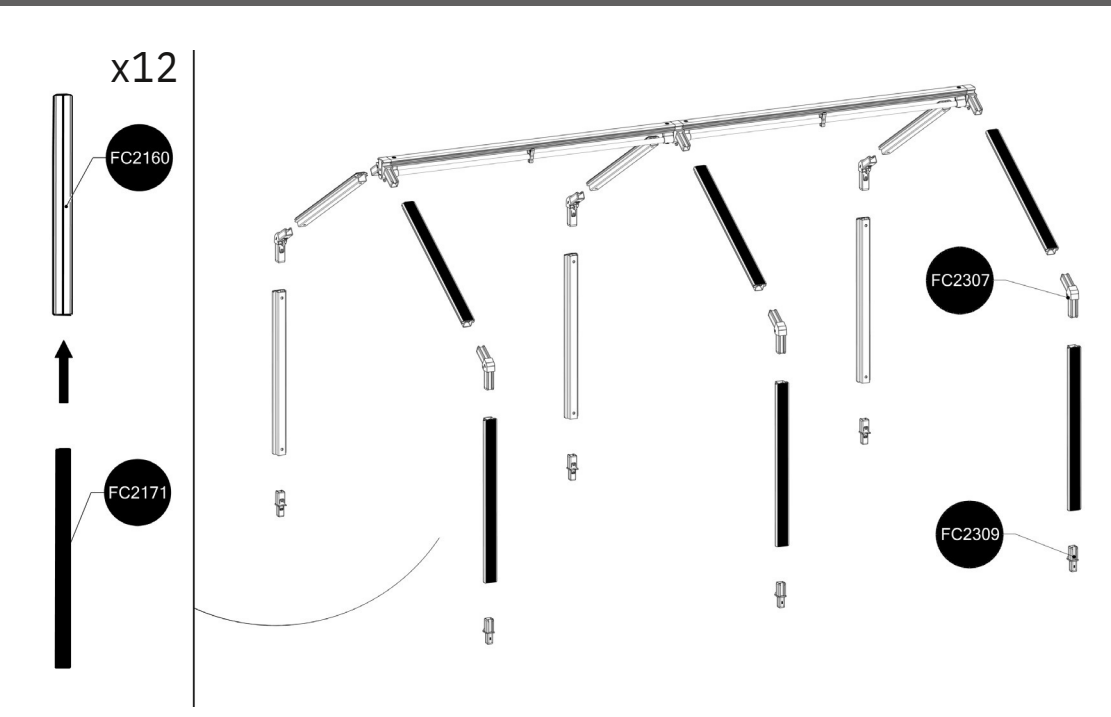
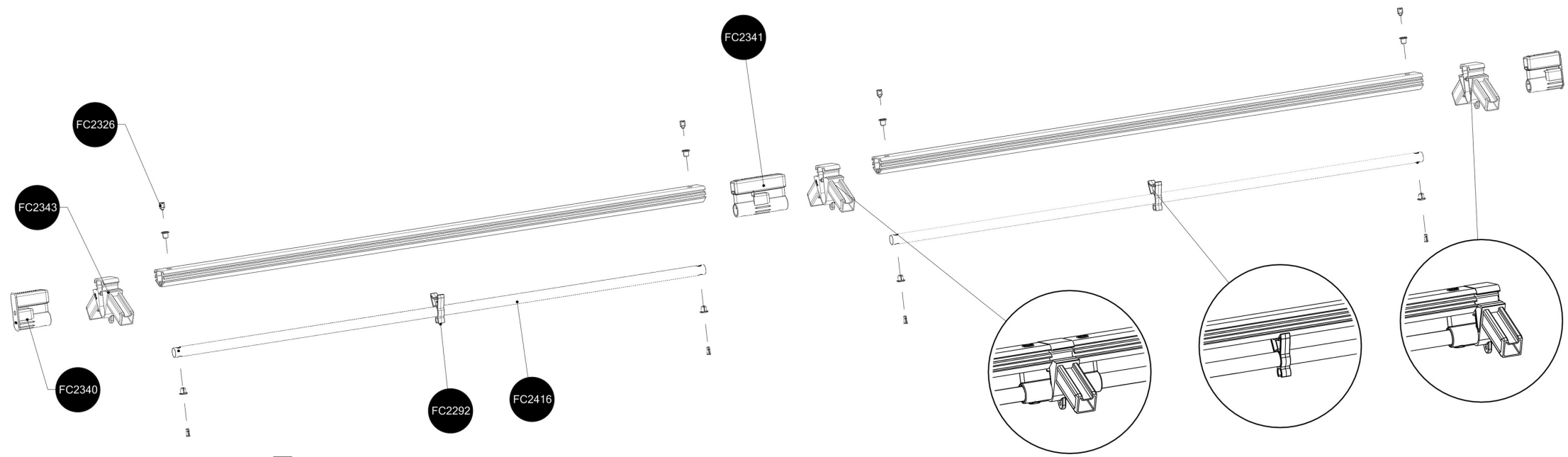


# 3

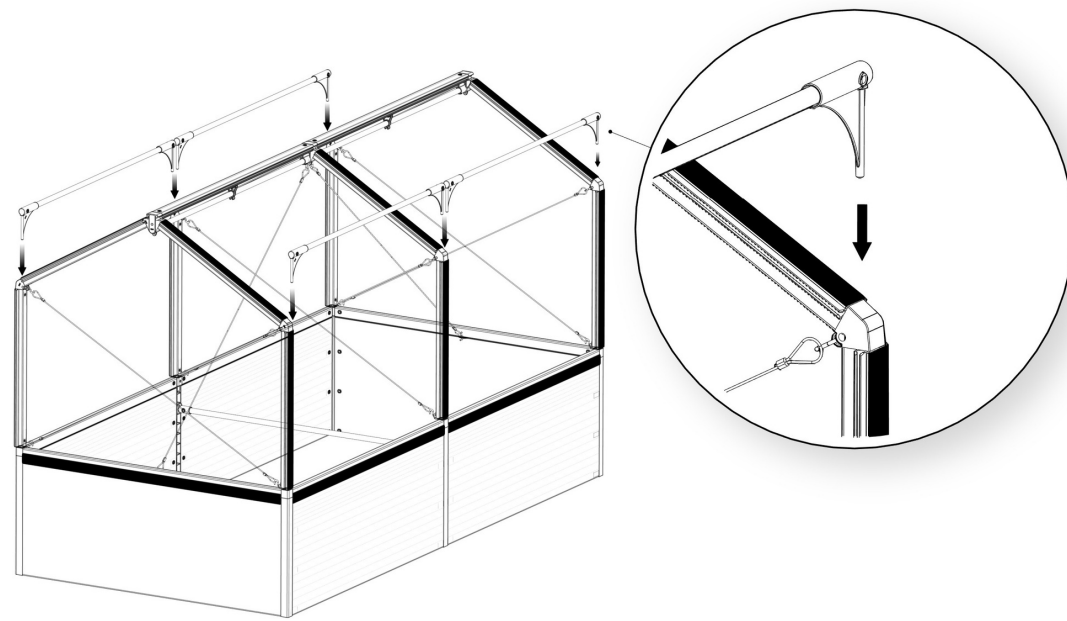
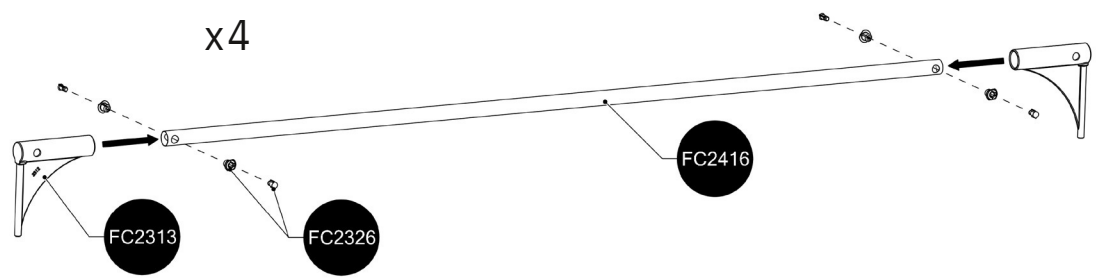
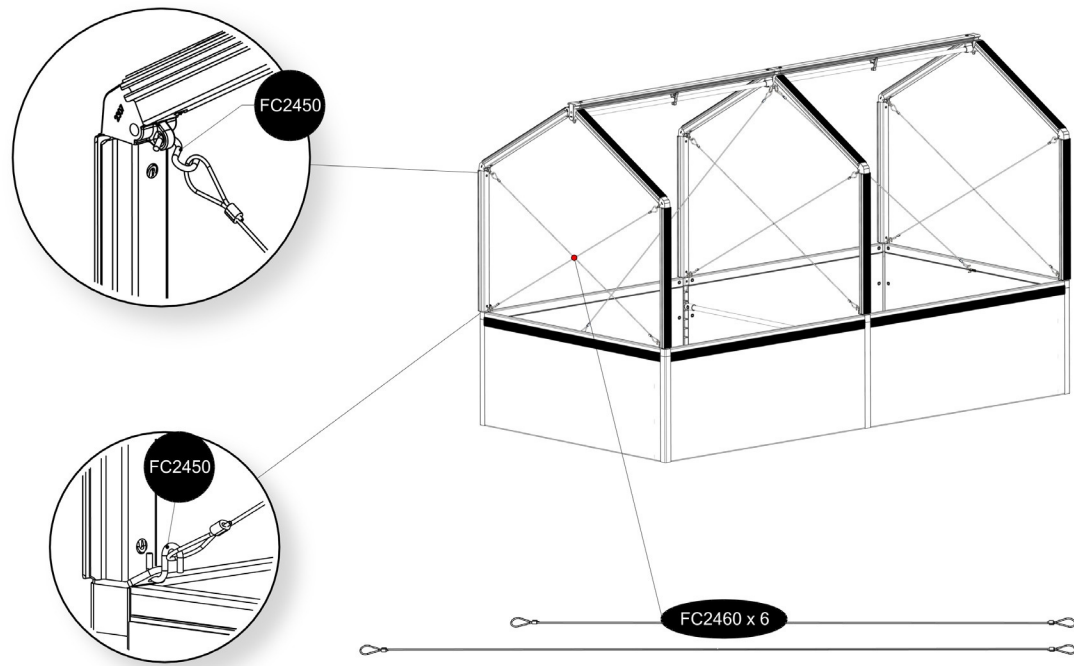
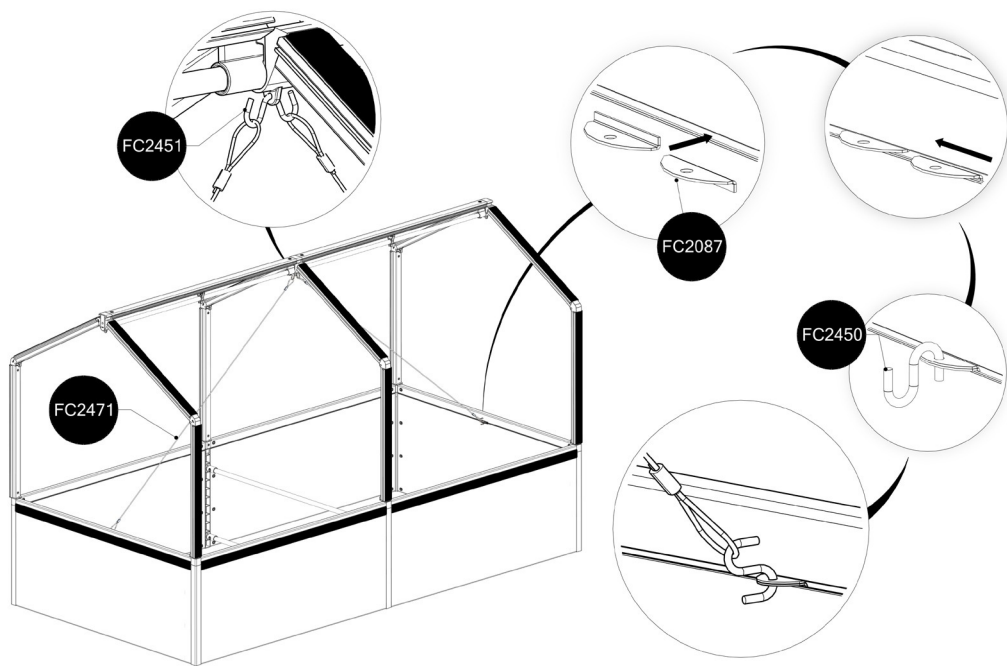


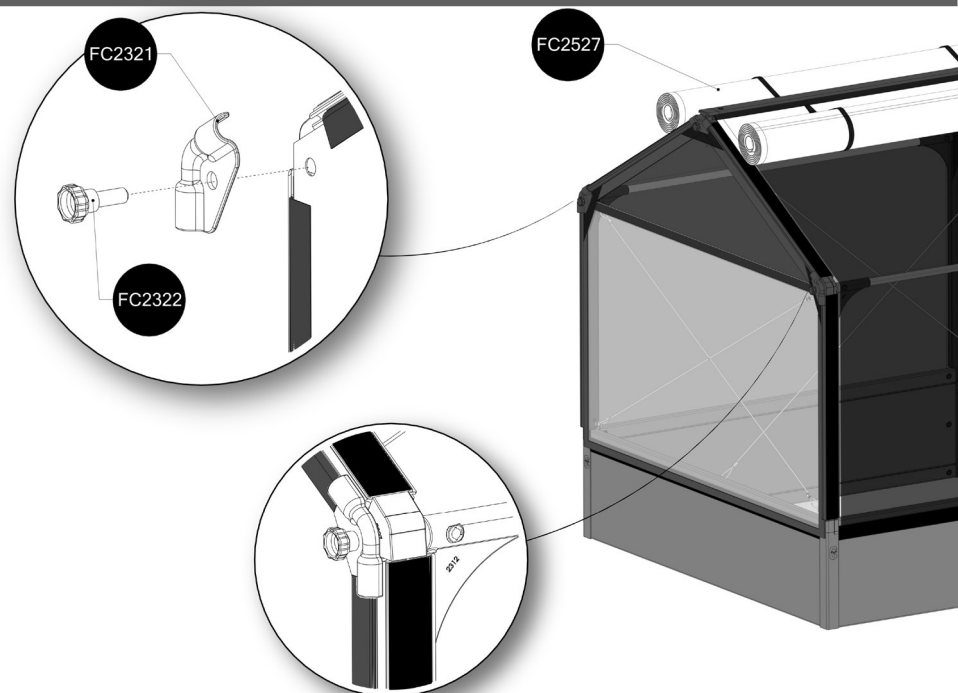
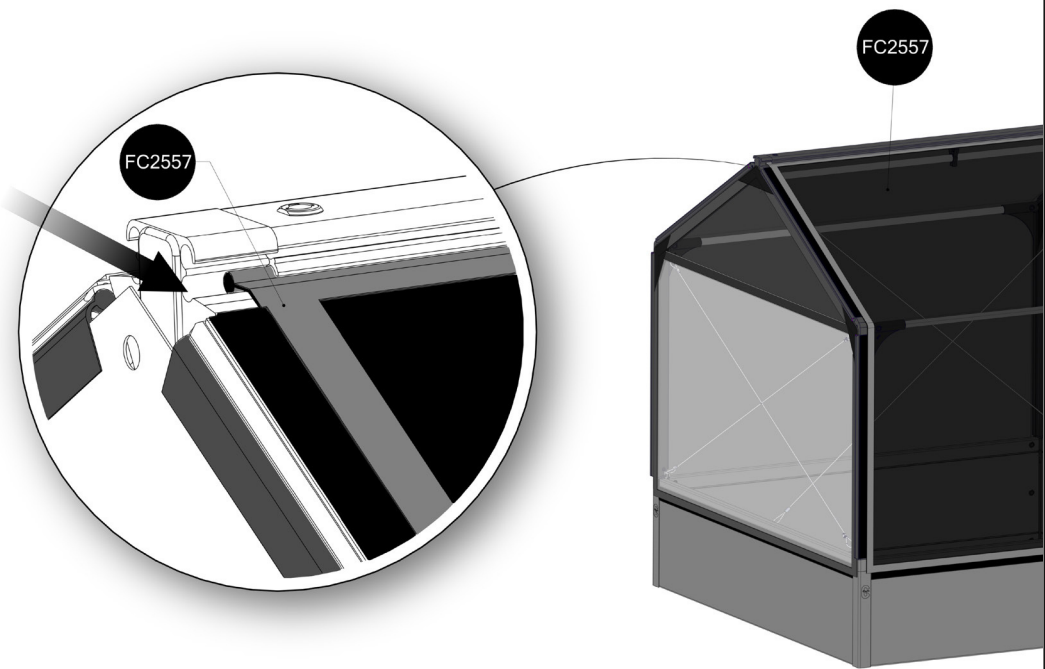
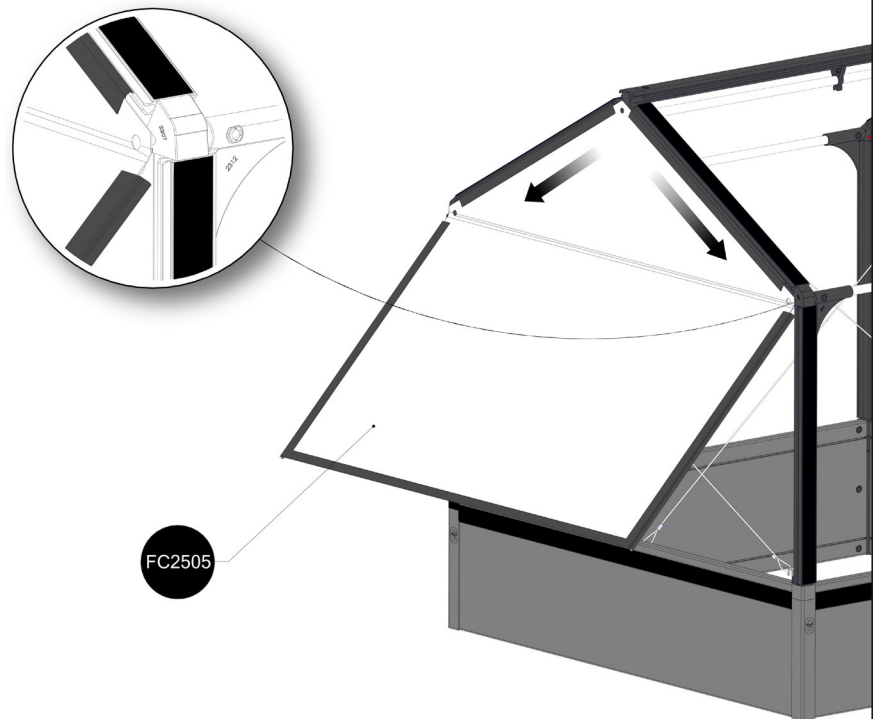
# 4











At temperatures more than 30 °C/ 90 °F the plastic sides must be opened when the GrowCamp is mounted.