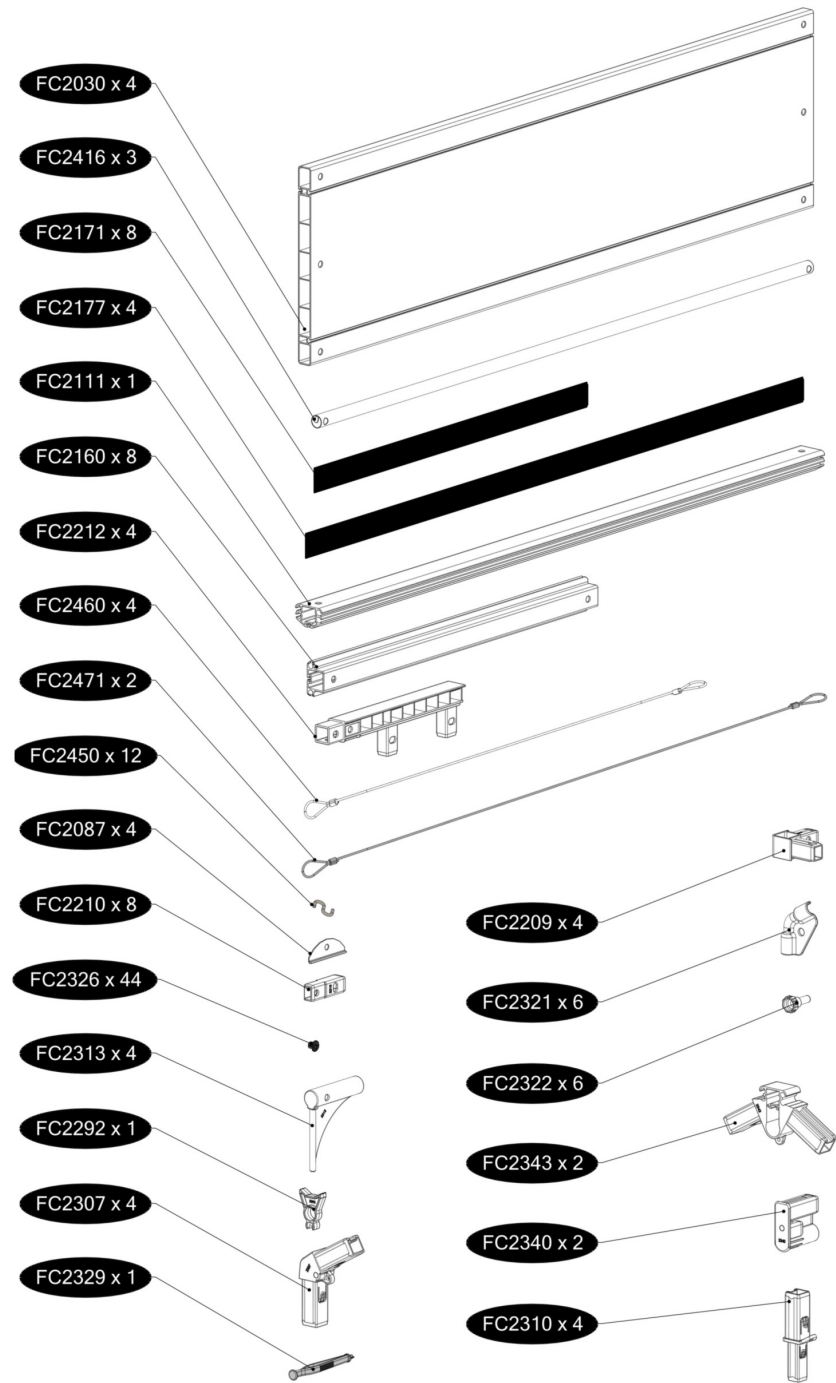
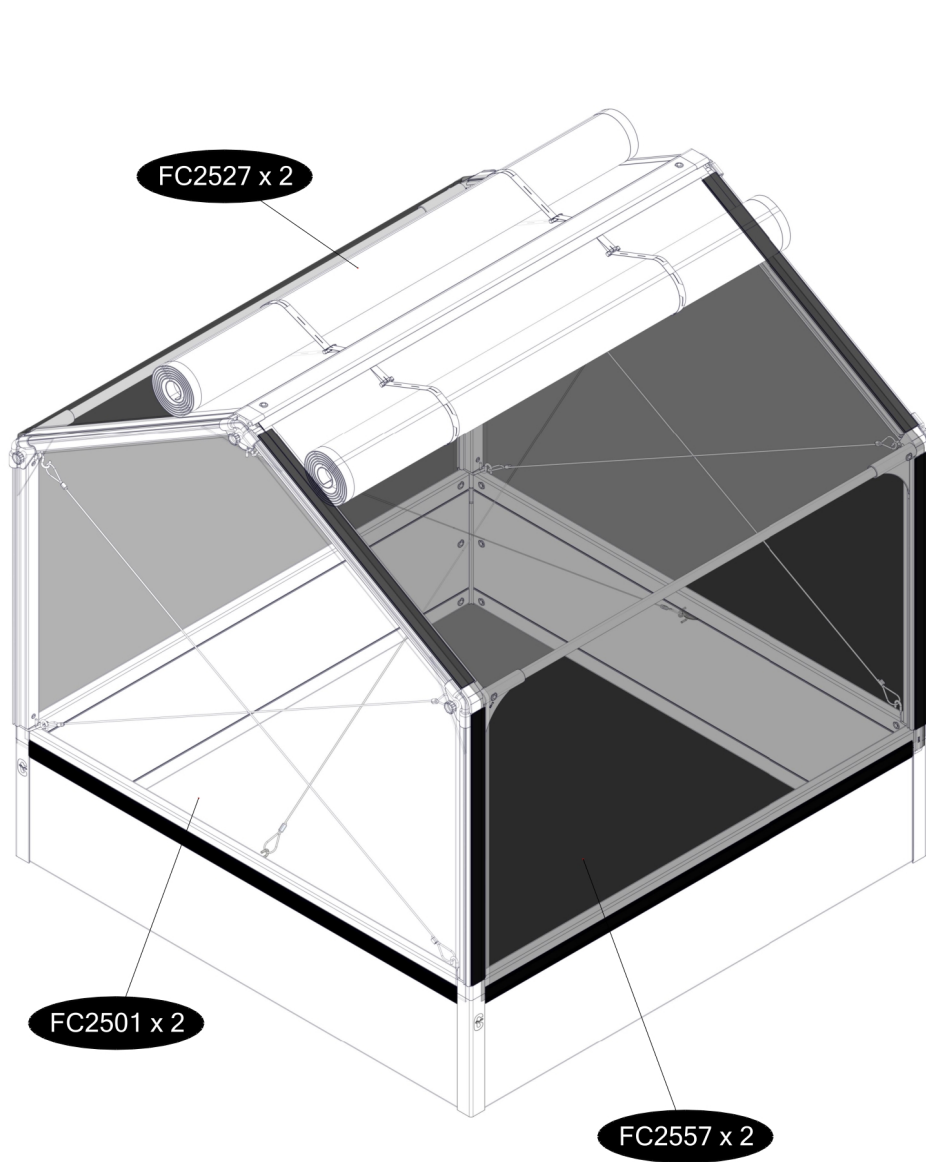


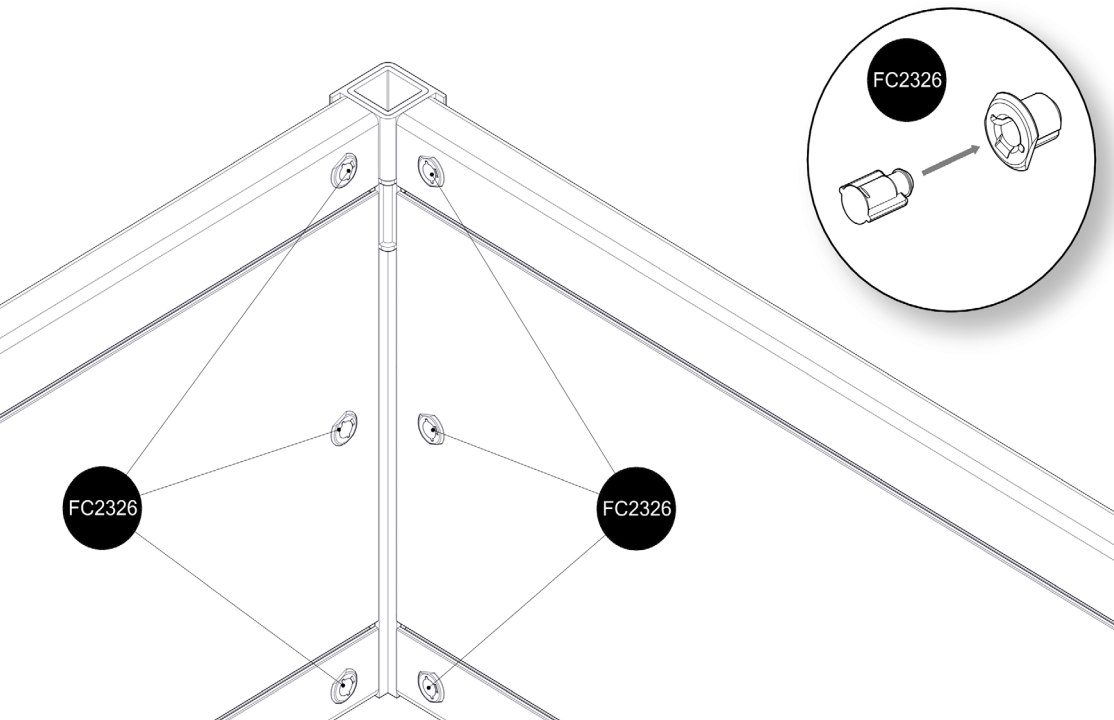


FC3050 GrowCamp/30 120x120 cm BASIC

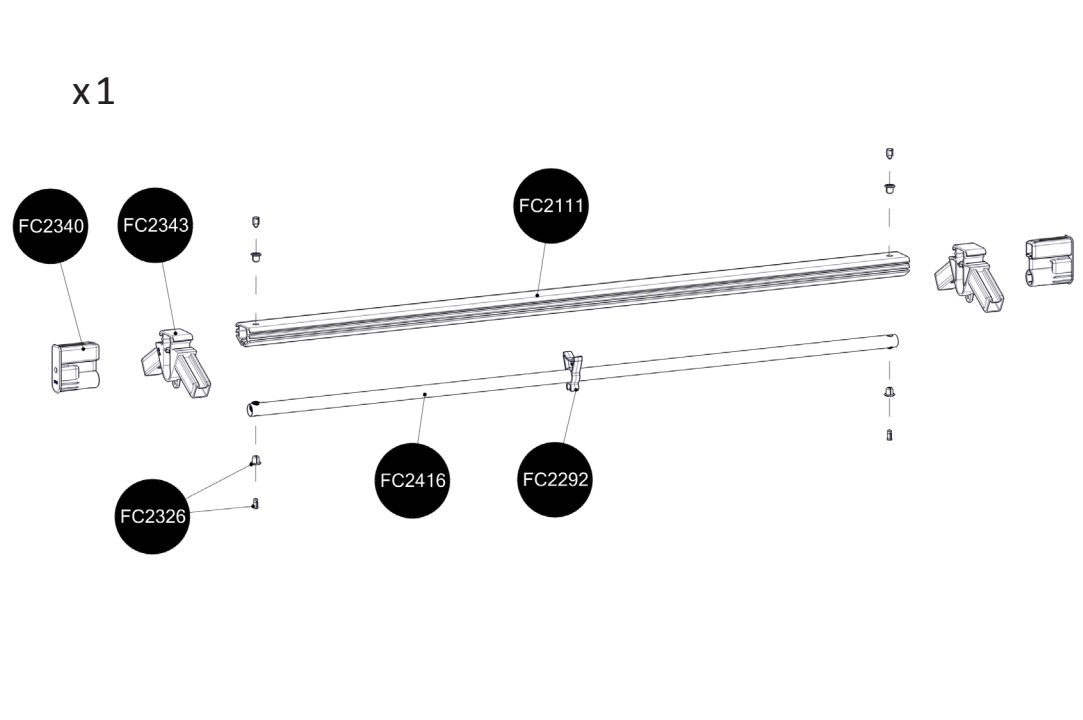


www.growcamp.dk
info@growcamp.dk

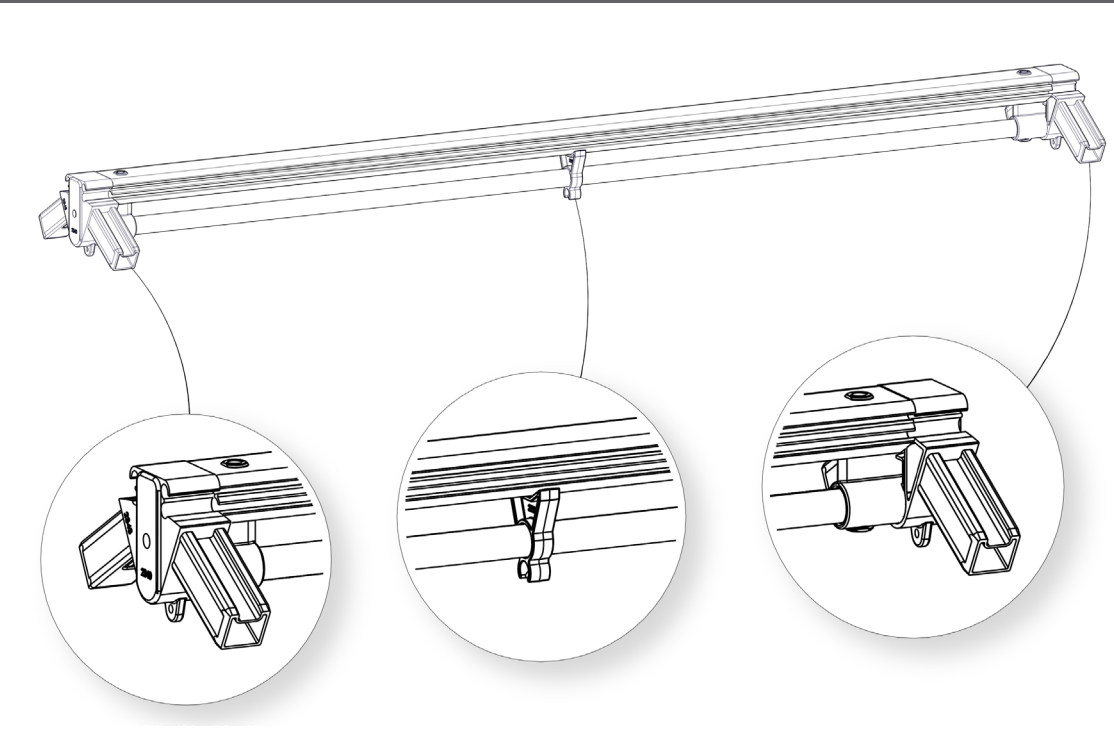
5



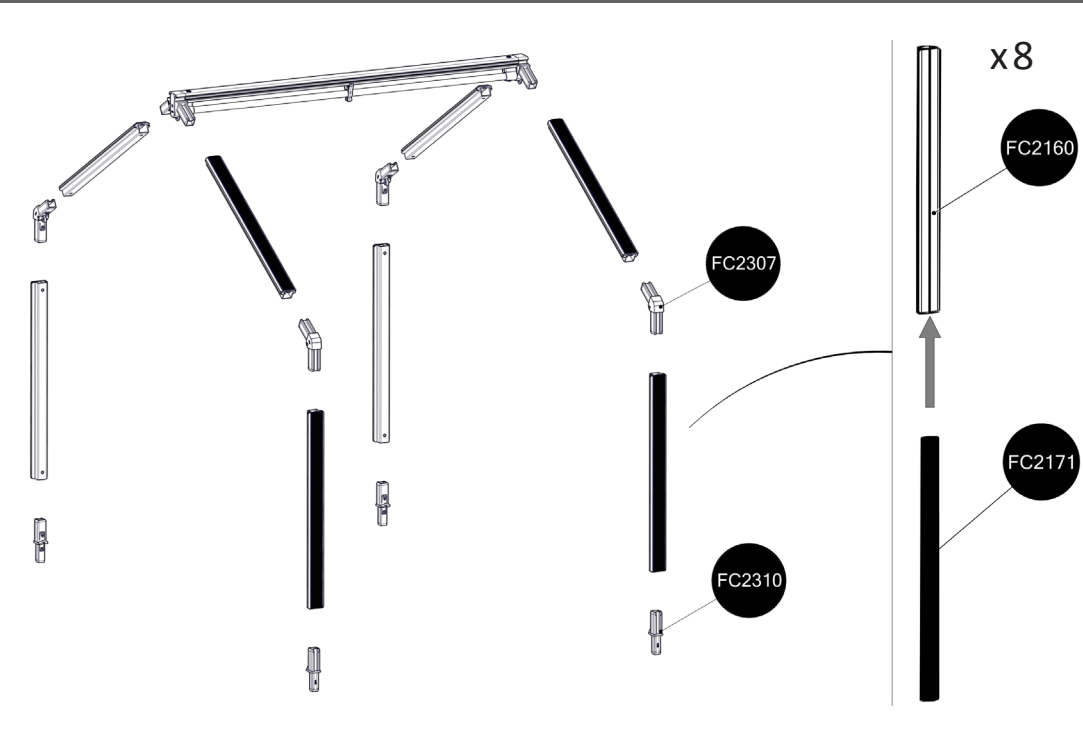
6

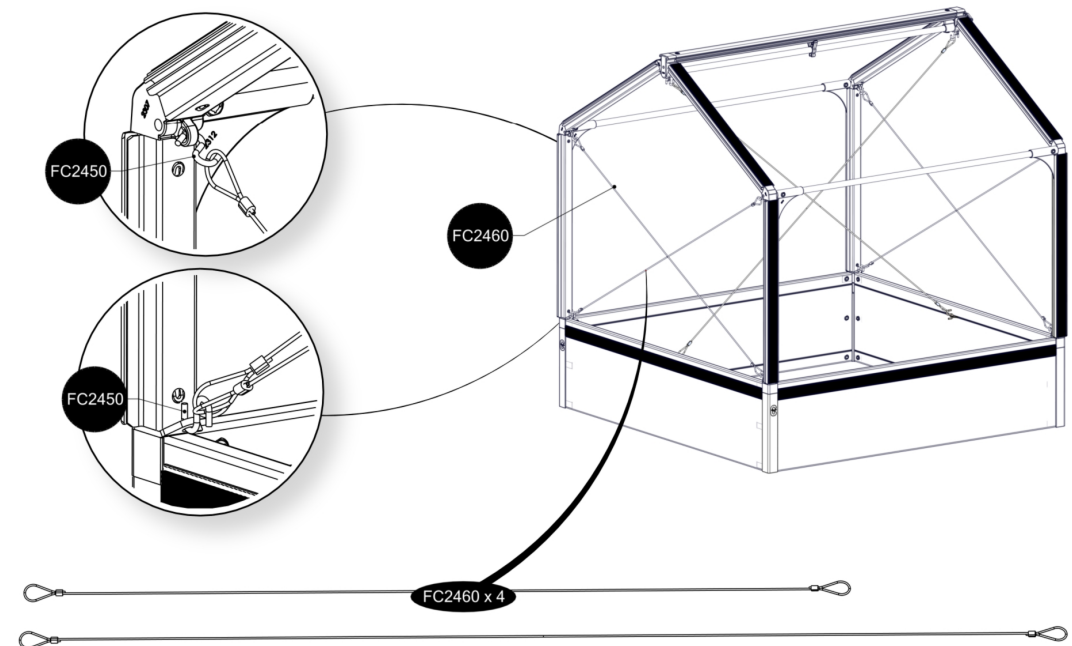
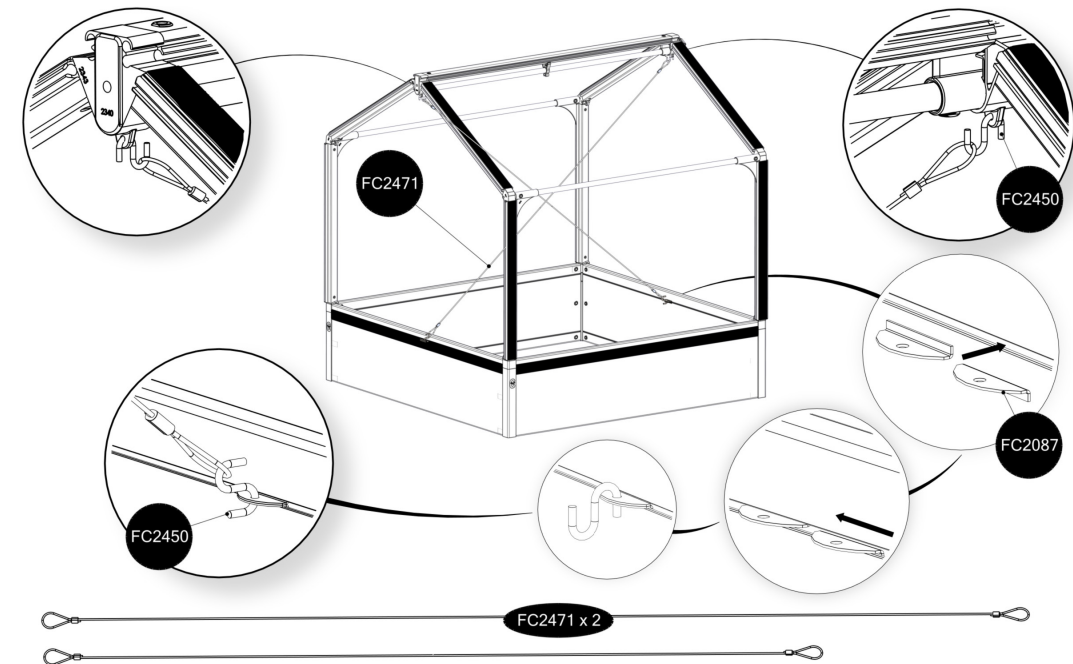
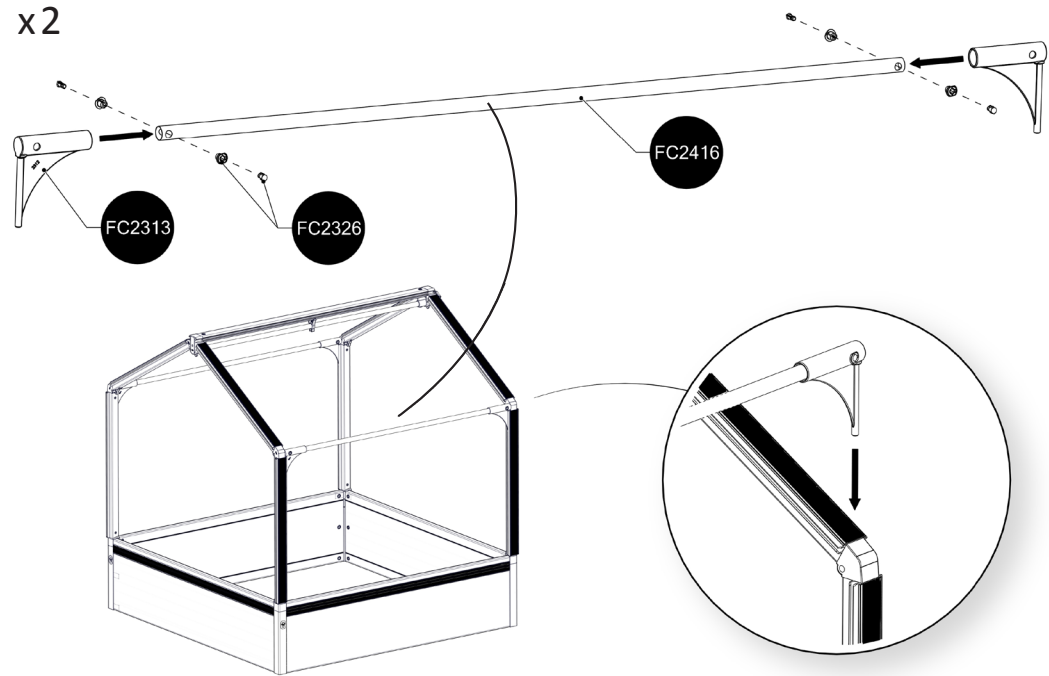
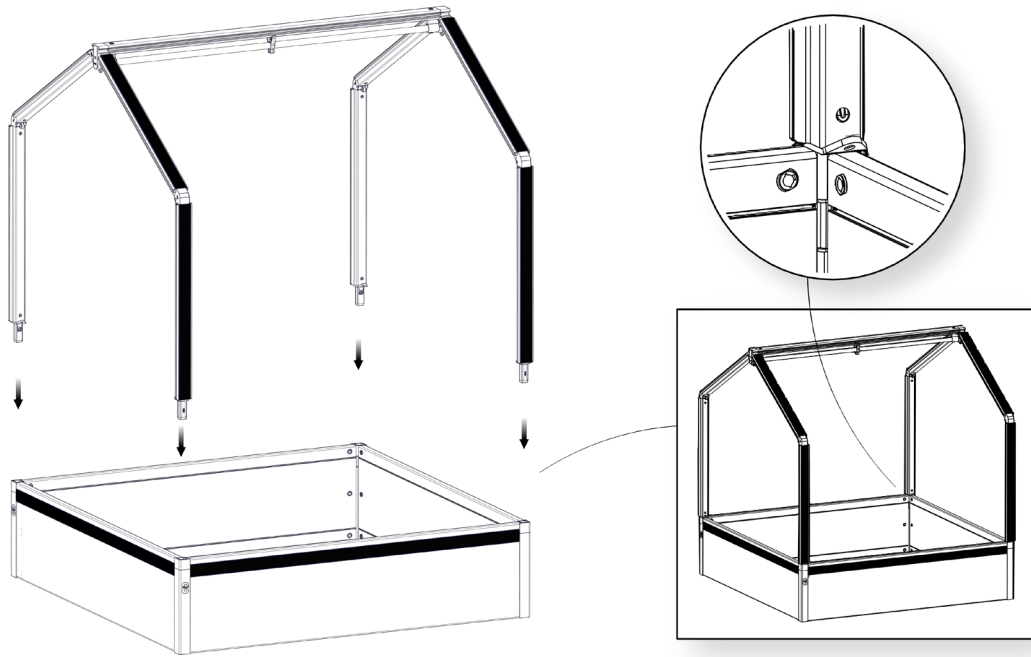


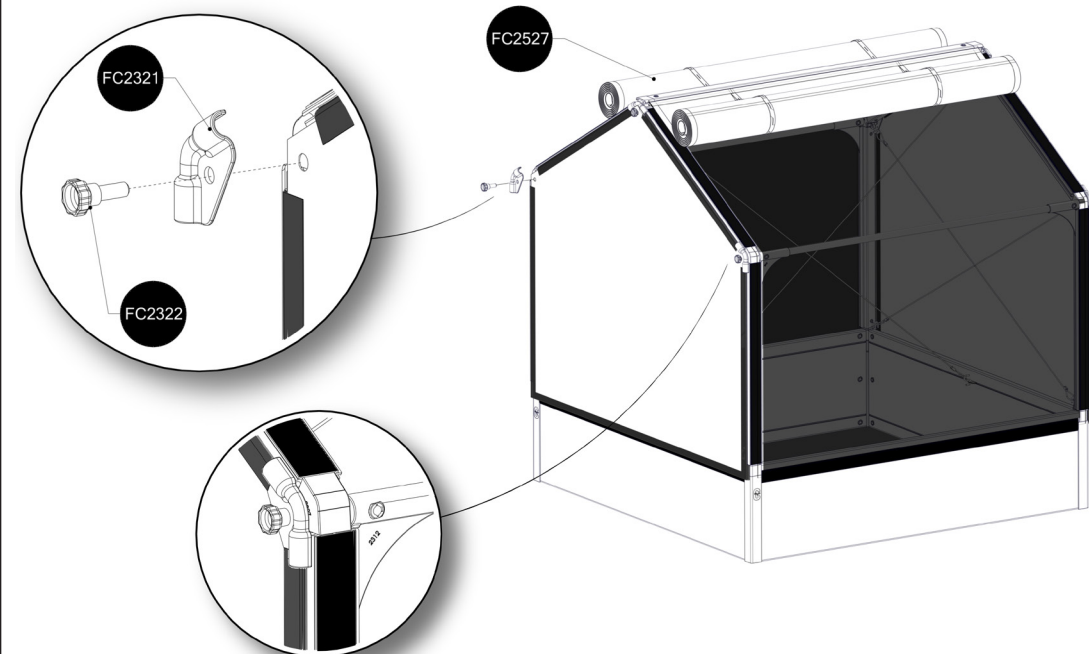
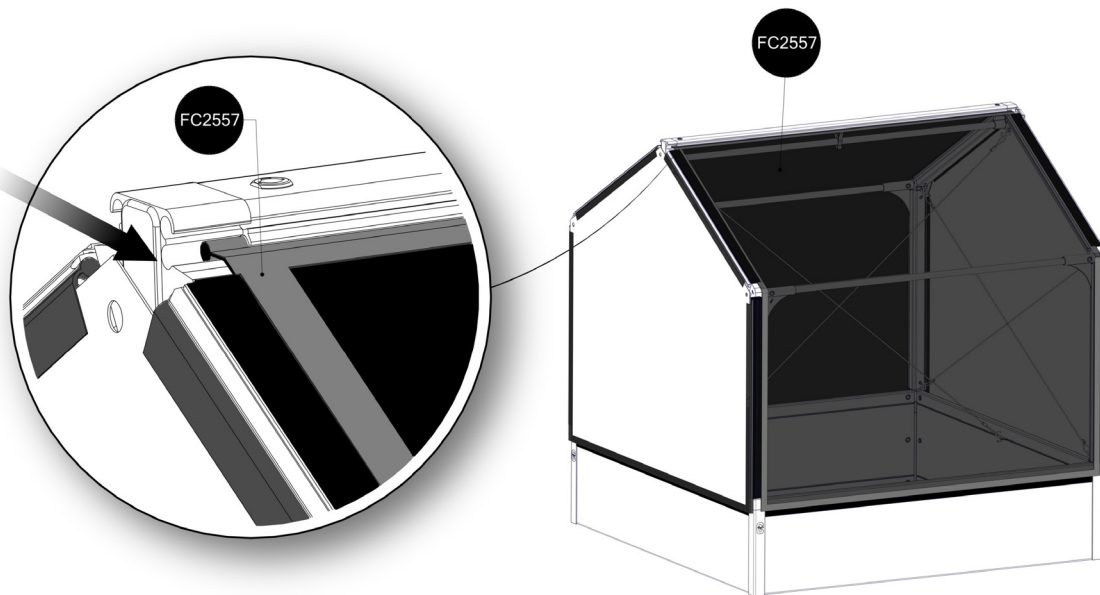
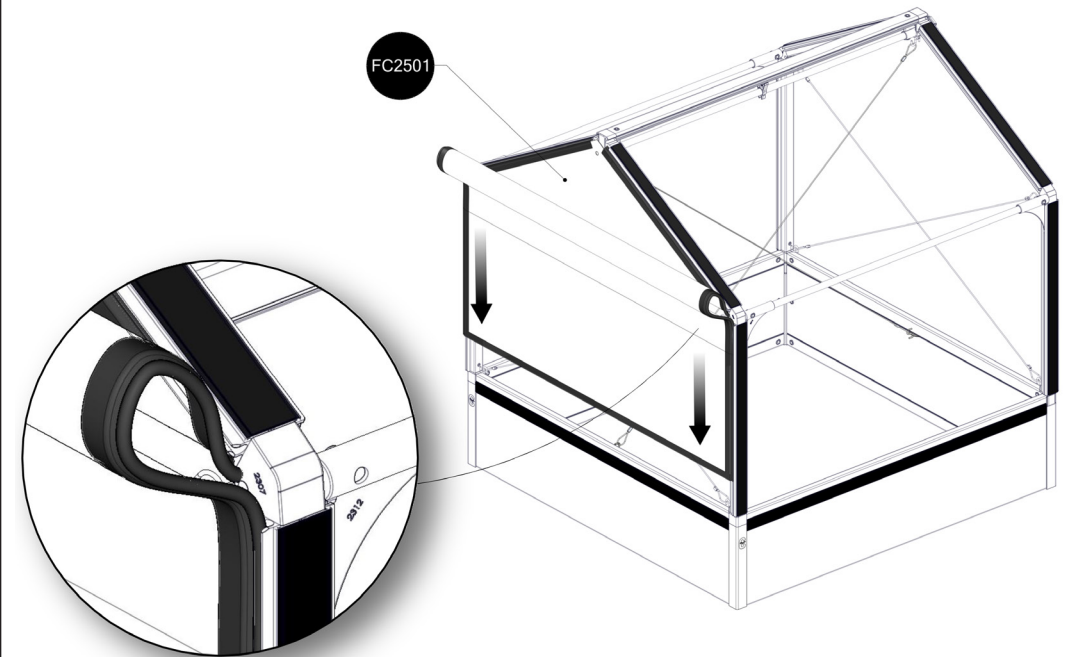
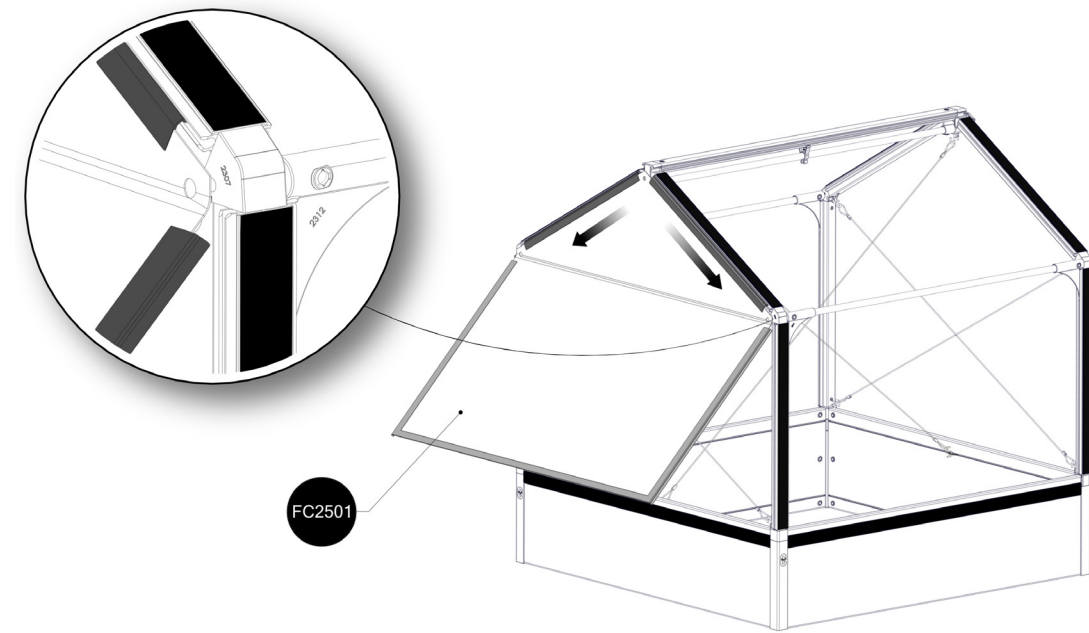
7



8



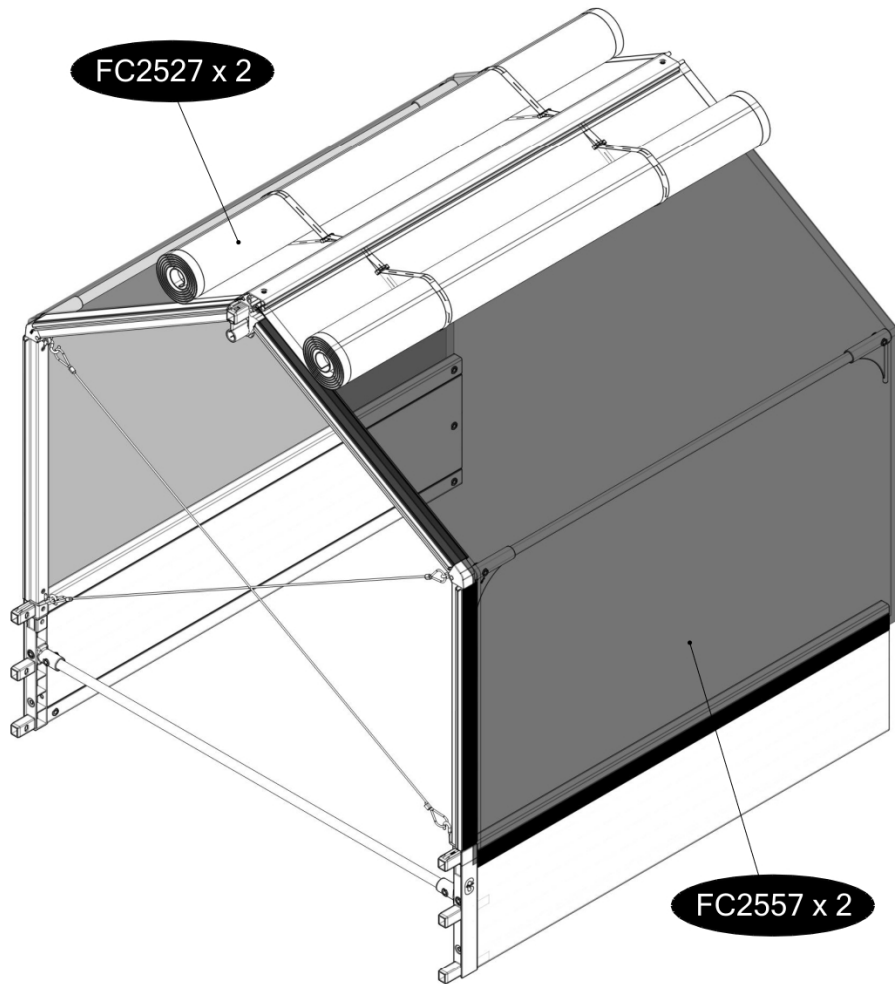




At temperatures more than 30 °C/ 90 °F the plastic sides must be opened when the GrowCamp is mounted.



FC3055 GrowCamp/30 120x120 cm EXTENSION



FC2527 x 2

FC2557 x 2

FC2030 x 2

FC2416 x 4

FC2171 x 4

FC2177 x 2

FC2111 x 1

FC2160 x 4

FC2460 x 2

FC2450 x 4

FC2451 x 1

FC2225 x 2

FC2221 x 2

FC2218 x 2

FC2313 x 4

FC2326 x 32

FC2292 x 1

FC2341 x 1

FC2343 x 1

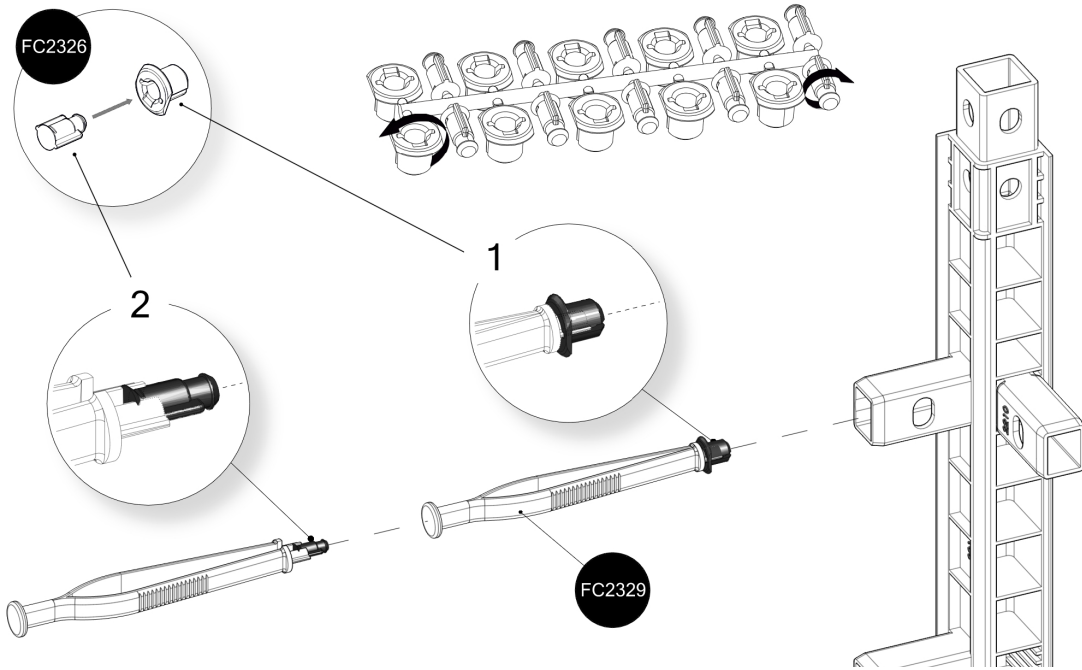
FC2307 x 2

FC2310 x 2

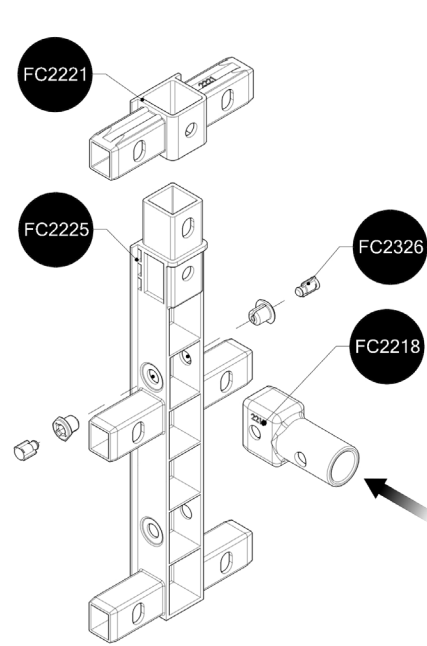
www.growcamp.dk
info@growcamp.dk

1 FC3055 GrowCamp/30 120x120 cm EXTENSION

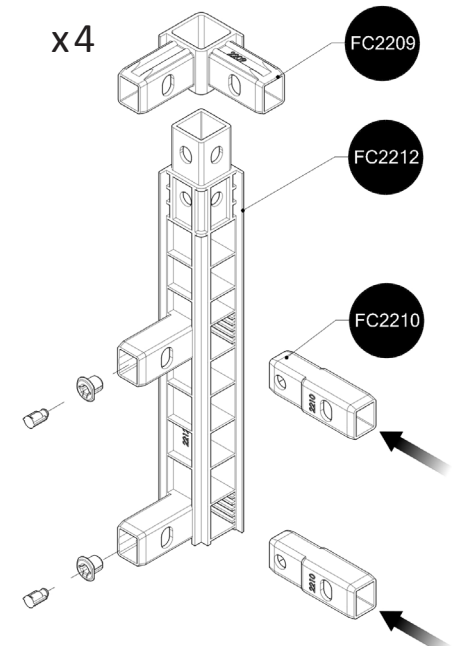
2



x2

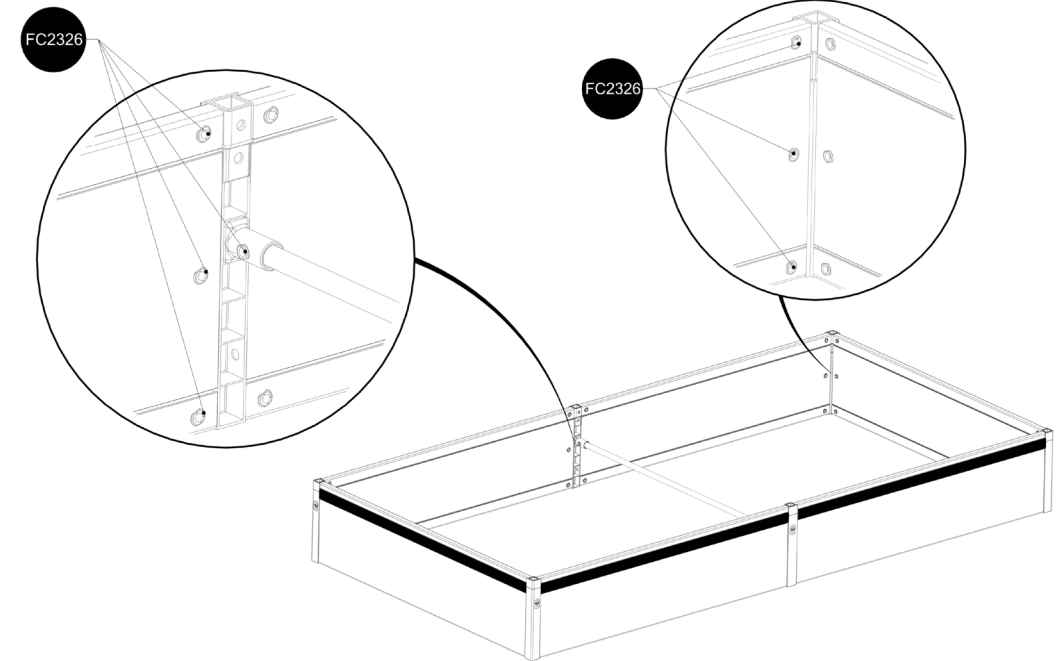
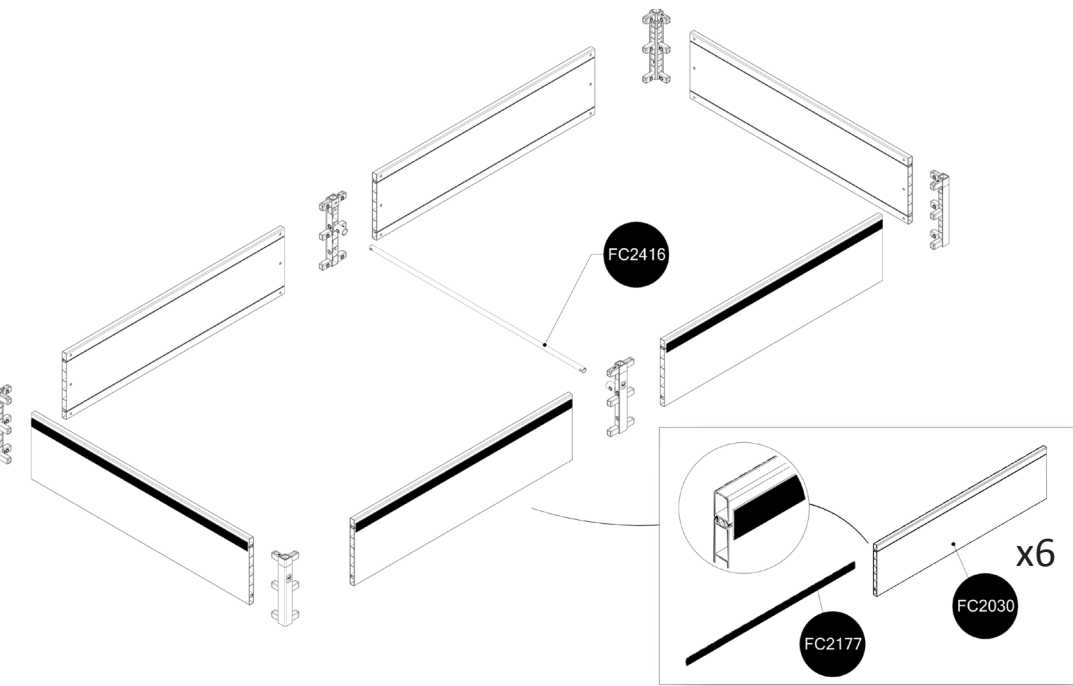


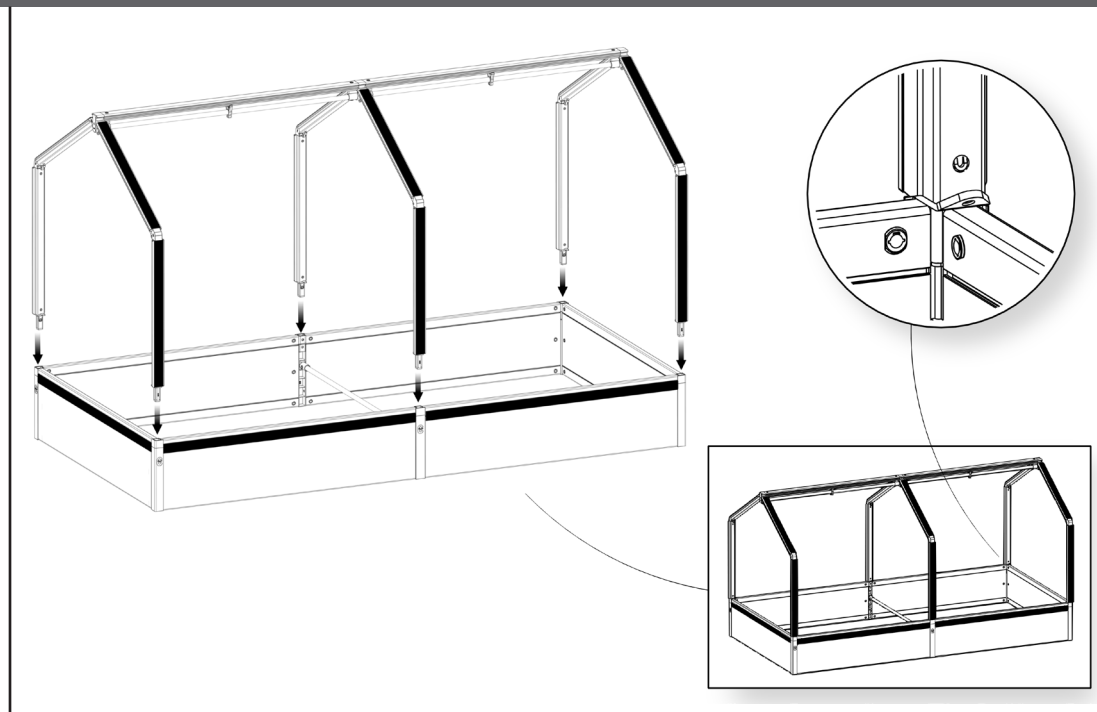
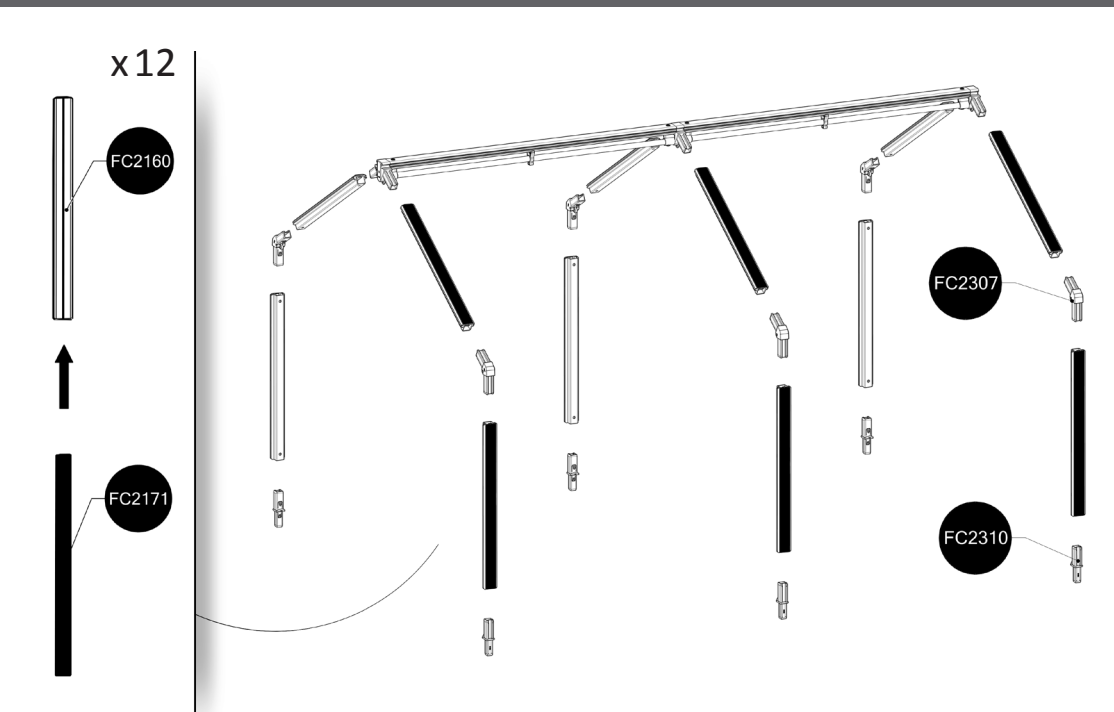
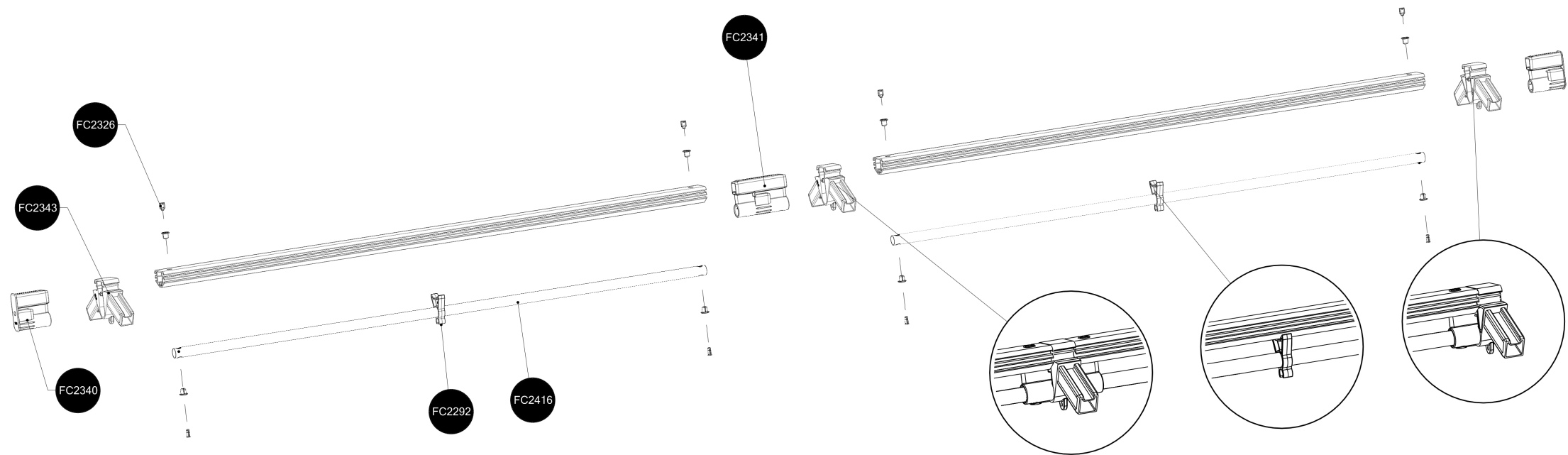
x4

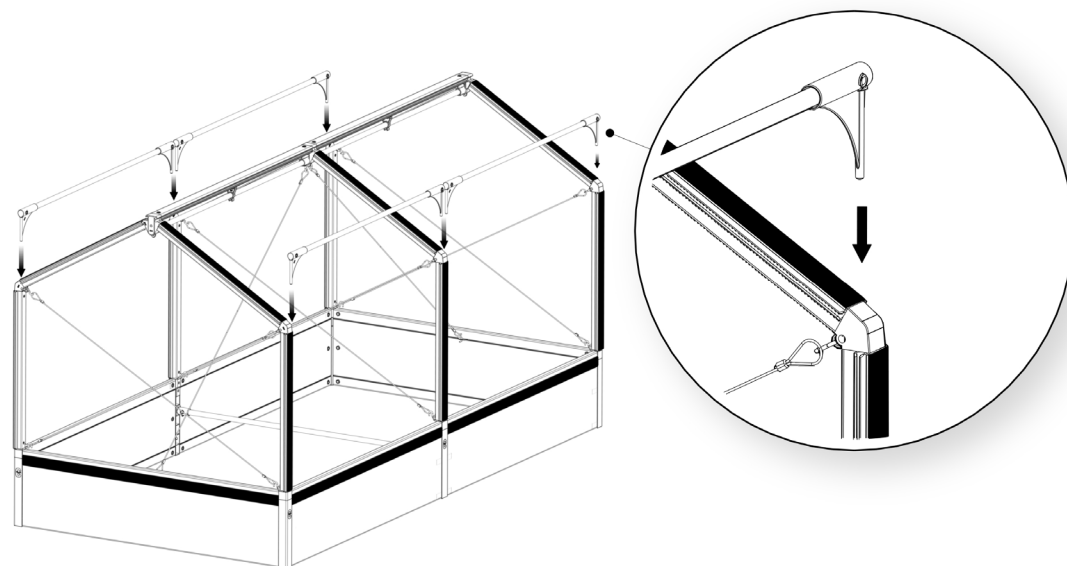
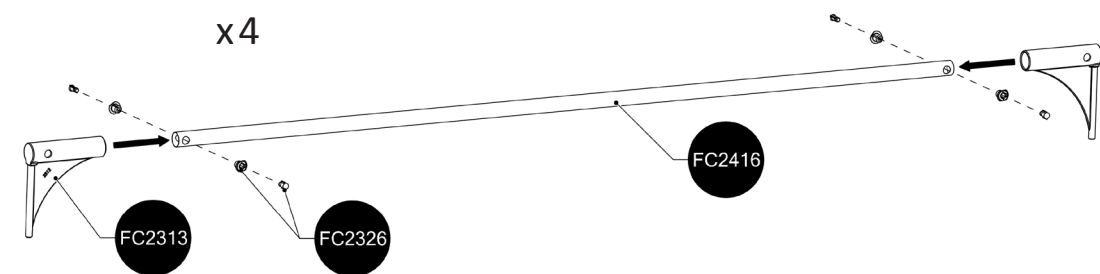
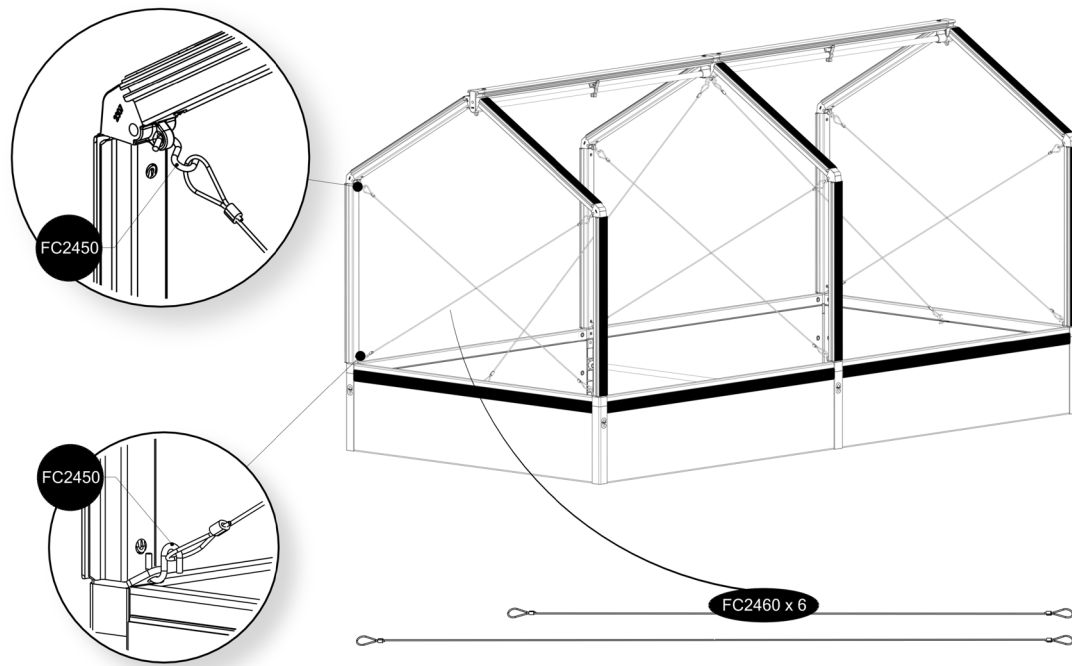
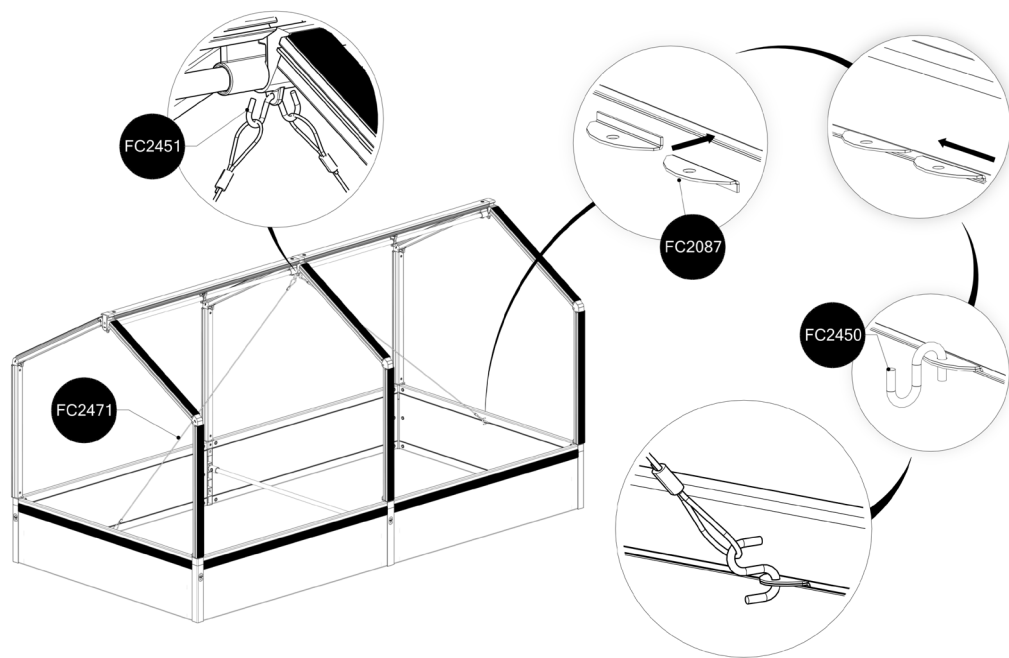


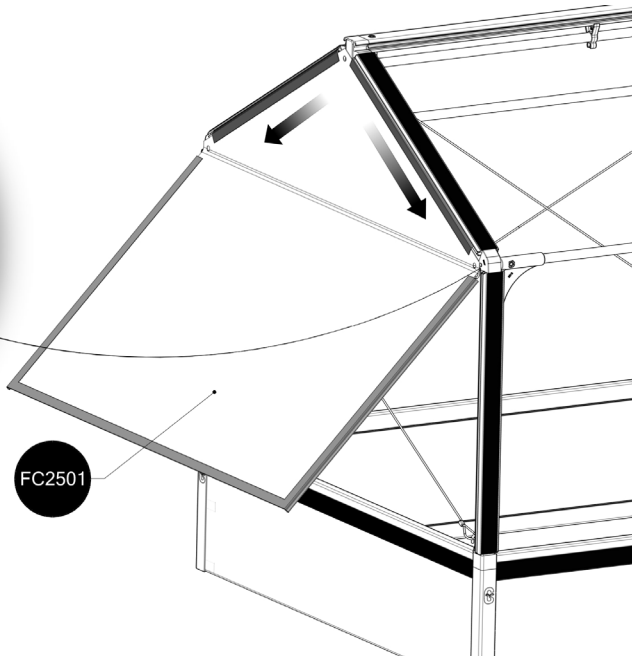
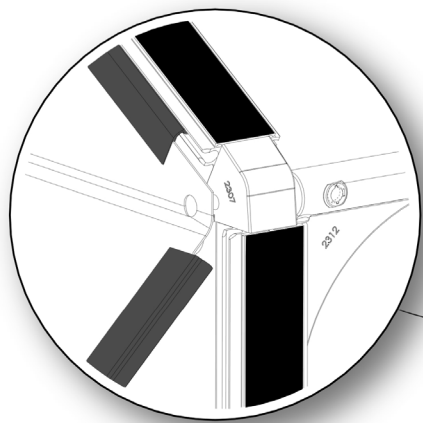
3

4

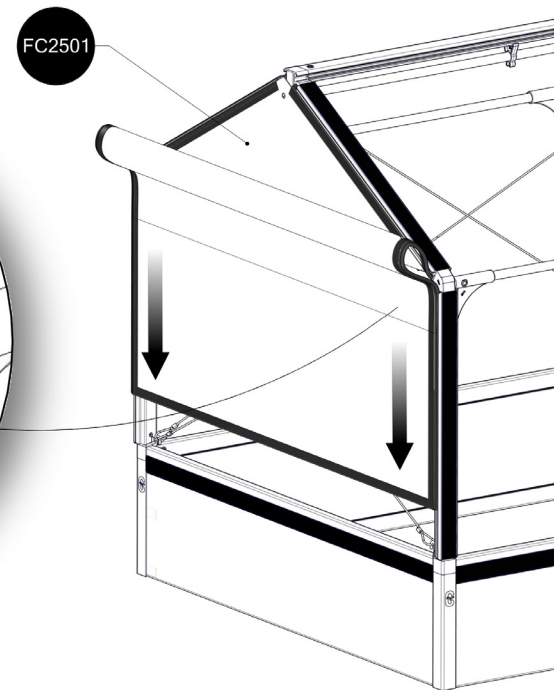




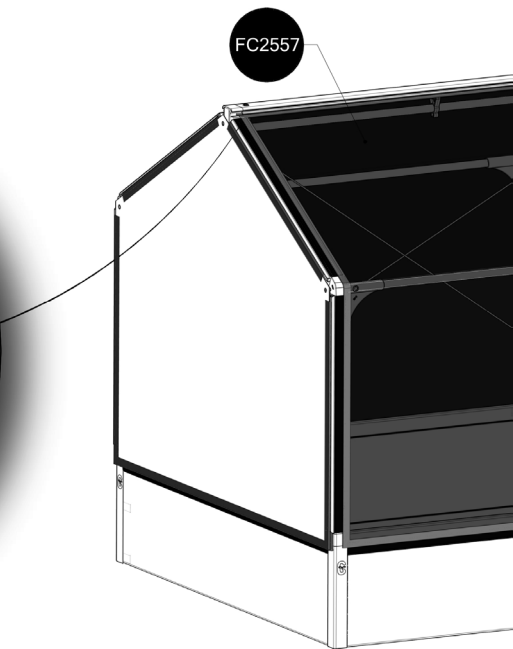
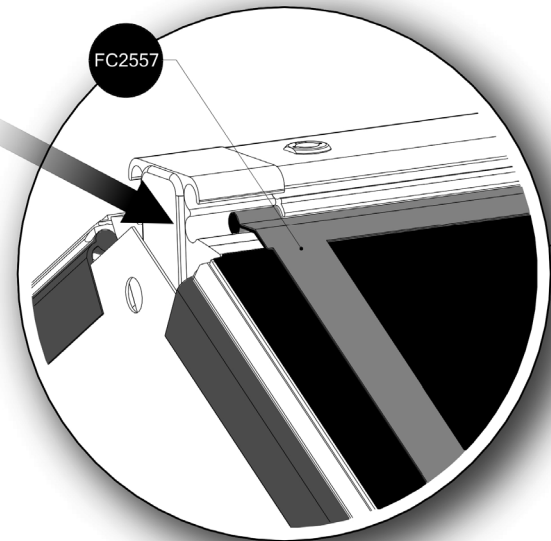




FC2501

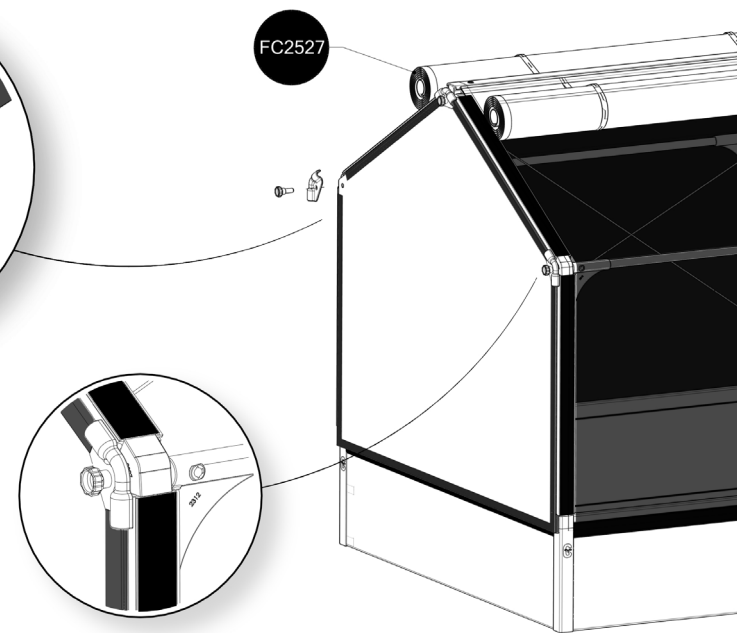
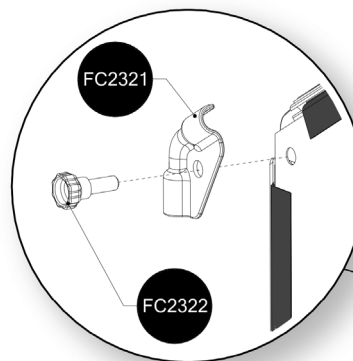


FC2501



FC2557

FC2557



FC2321

FC2322

FC2527

At temperatures more than 30 °C/ 90 °F the plastic sides must be opened when the GrowCamp is mounted.