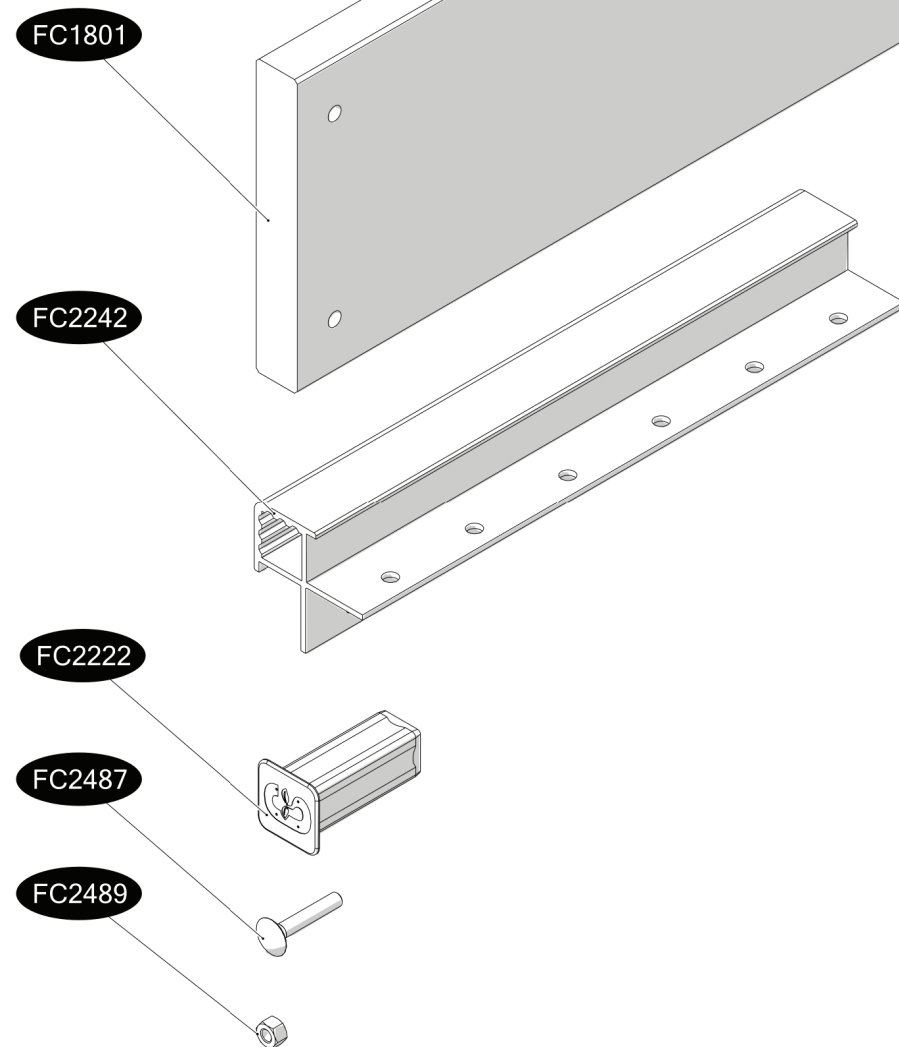
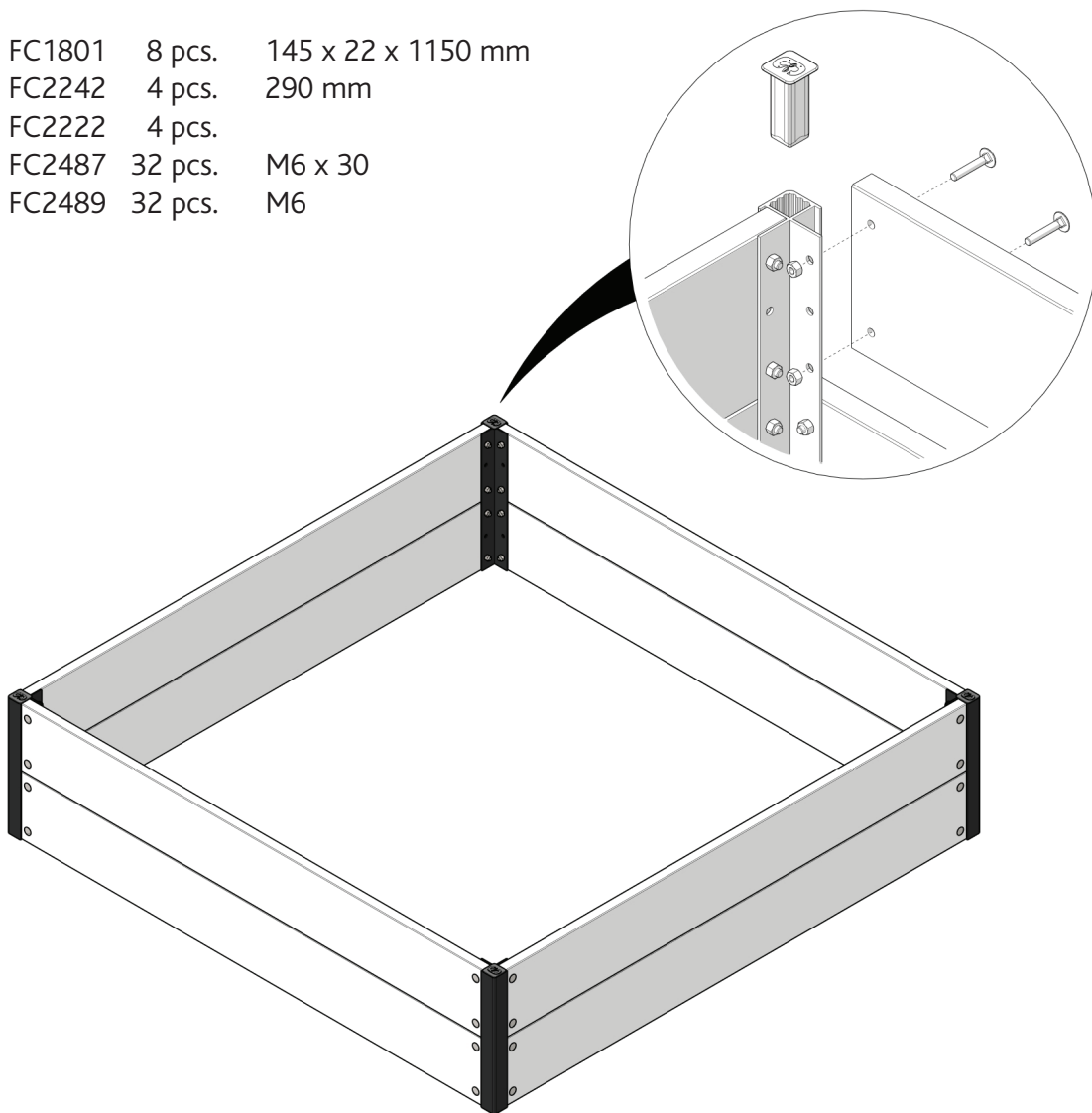




FC5230 Raised bed WOOD /30 120x120 cm BASIC

- FC1801 8 pcs. 145 x 22 x 1150 mm
- FC2242 4 pcs. 290 mm
- FC2222 4 pcs.
- FC2487 32 pcs. M6 x 30
- FC2489 32 pcs. M6



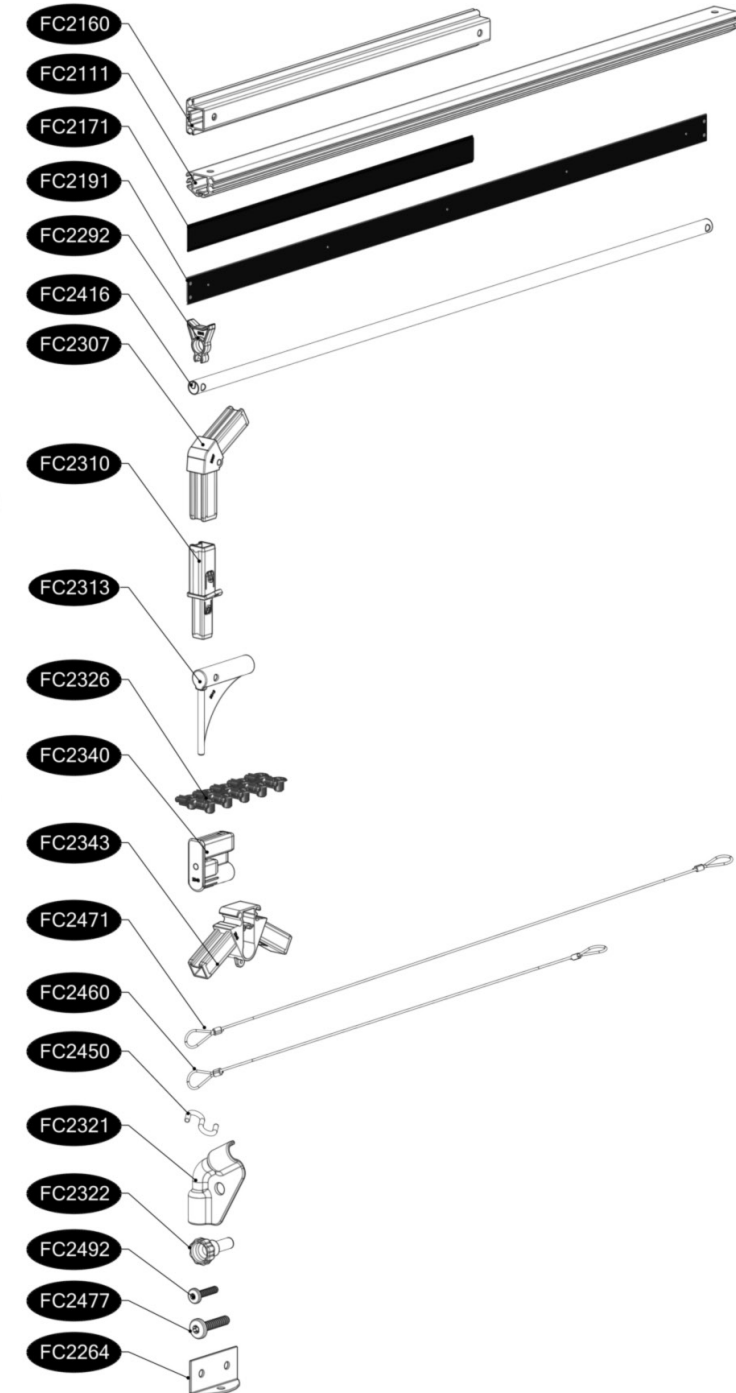
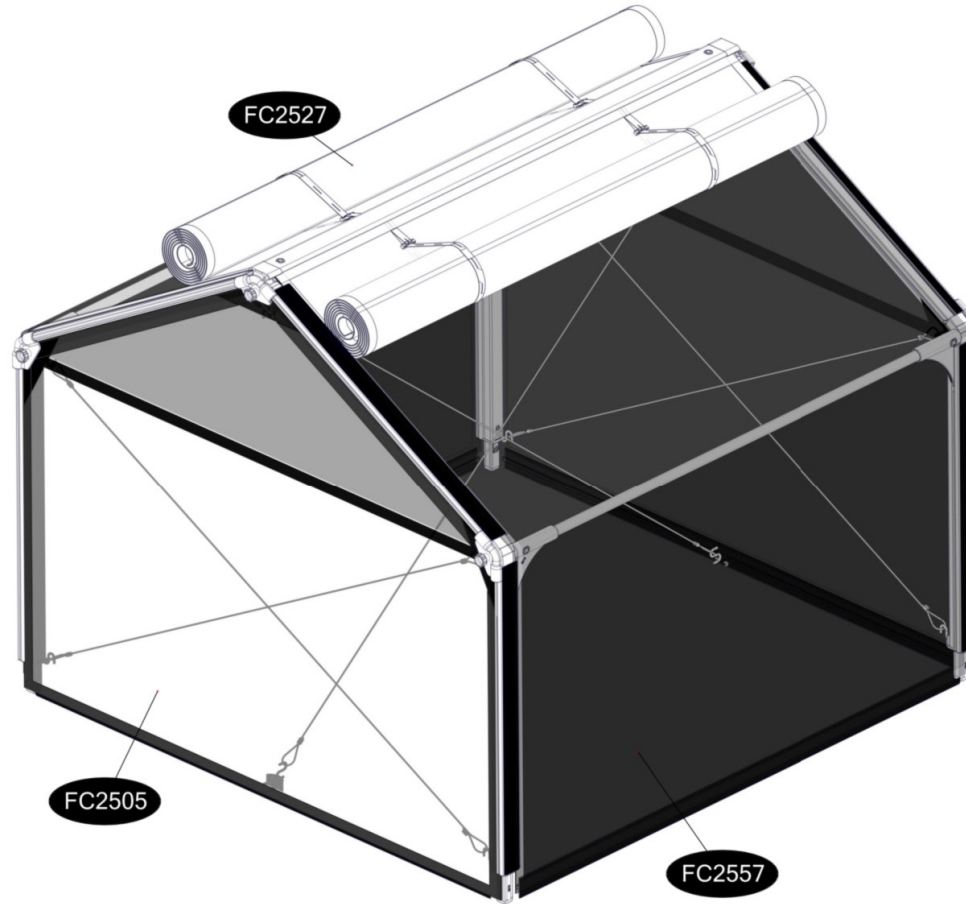
www.growcamp.dk
info@growcamp.dk



FC5430 Top section AIR for WOOD BASIC

- FC2160 8 pcs. 621 mm
- FC2111 1 pcs. 1140 mm
- FC2171 8 pcs. 619 mm
- FC2191 4 pcs. 1128 mm
- FC2292 1 pcs.
- FC2416 3 pcs. 1116 mm
- FC2307 4 pcs.
- FC2310 4 pcs.
- FC2313 4 pcs.
- FC2326 2 pcs.
- FC2340 2 pcs.
- FC2343 2 pcs.
- FC2471 2 pcs. 1440 mm
- FC2460 4 pcs. 1214 mm
- FC2450 12 pcs.
- FC2321 6 pcs.
- FC2322 6 pcs.
- FC2492 20 pcs. 3,5 x 16 mm torx 10
- FC2477 4 pcs. 5 x 20 mm torx 20
- FC2264 2 pcs.

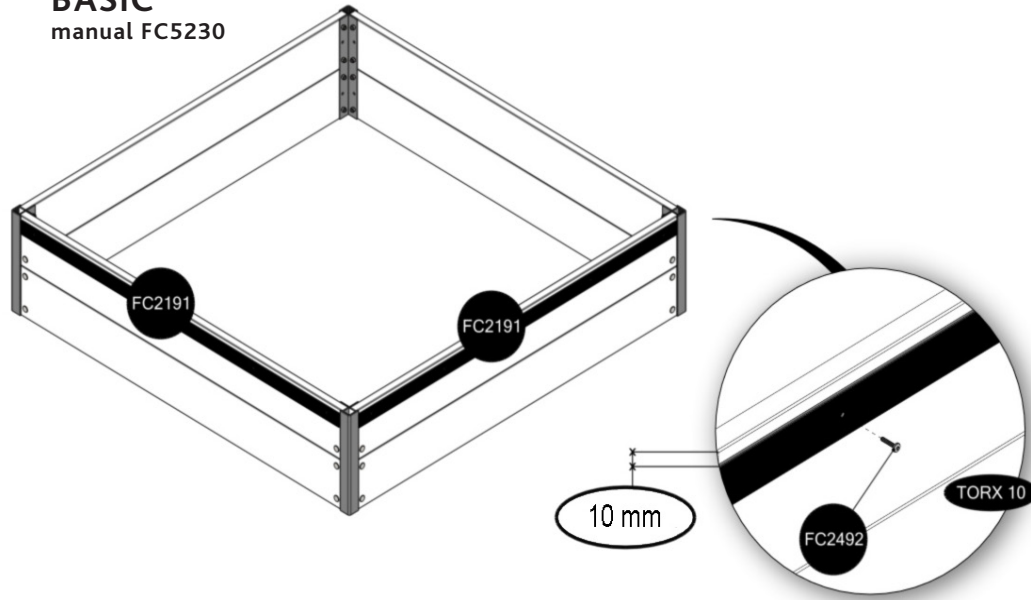
- FC2527 2 pcs.
- FC2557 2 pcs.
- FC2505 2 pcs.



www.growcamp.dk
info@growcamp.dk

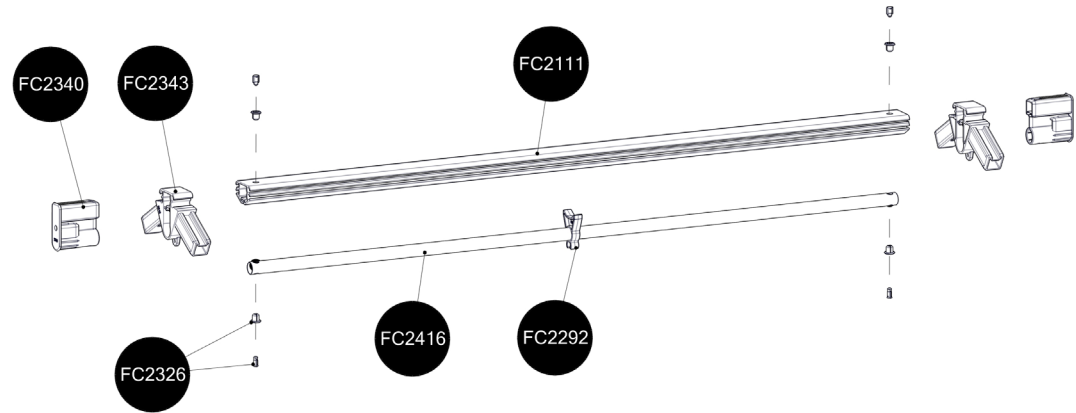
1 FC5430 Top section AIR for WOOD BASIC

BASIC
manual FC5230

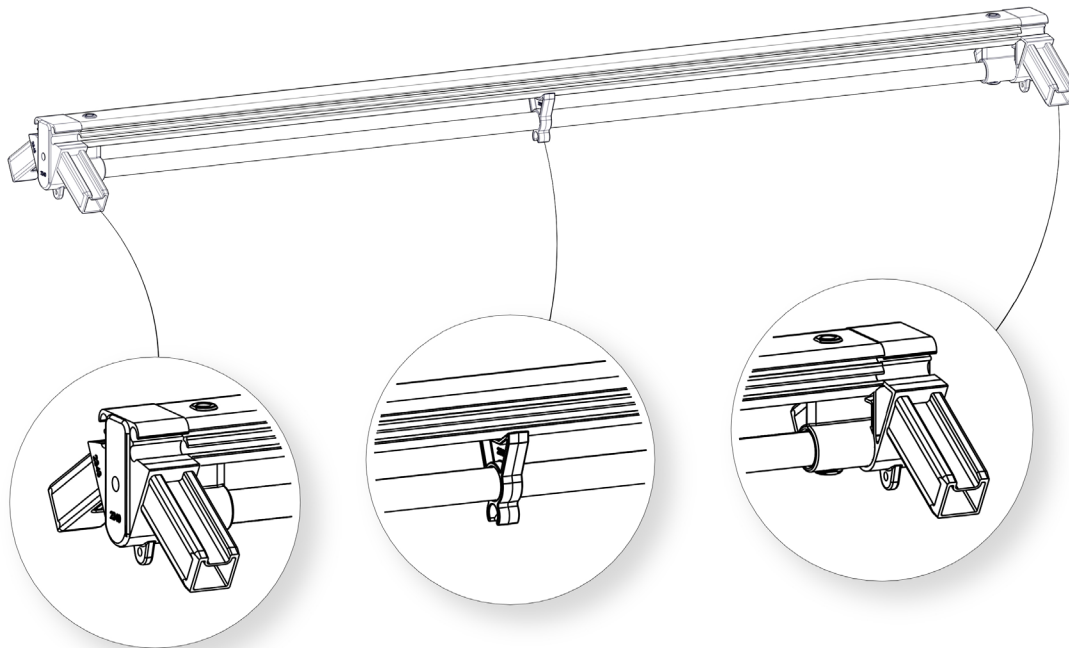


2

x1

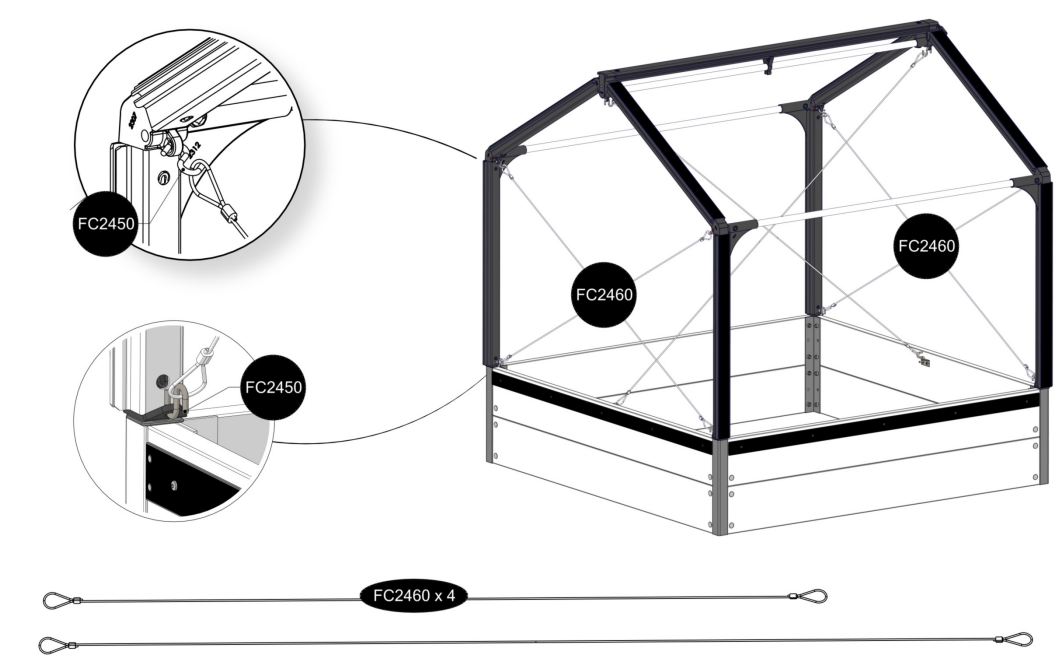
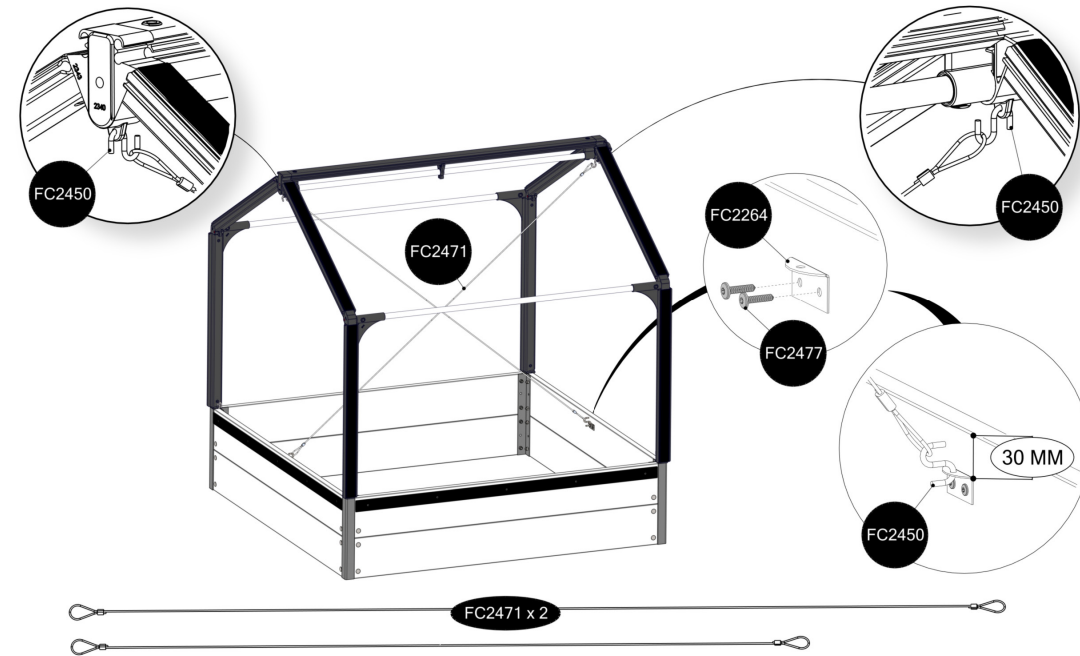
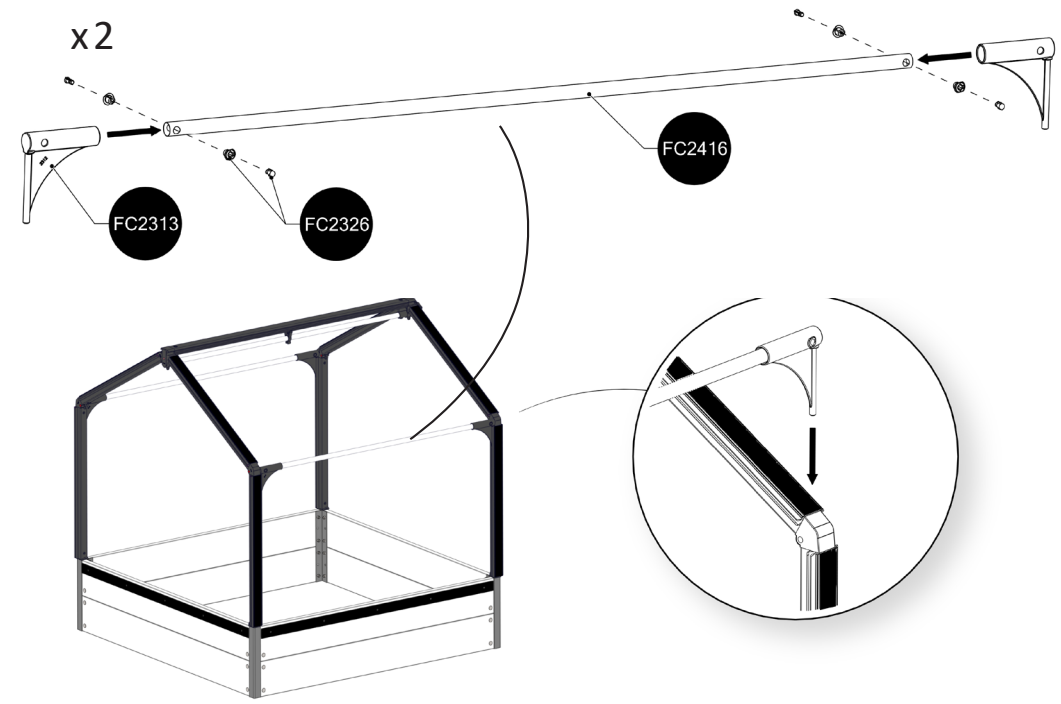
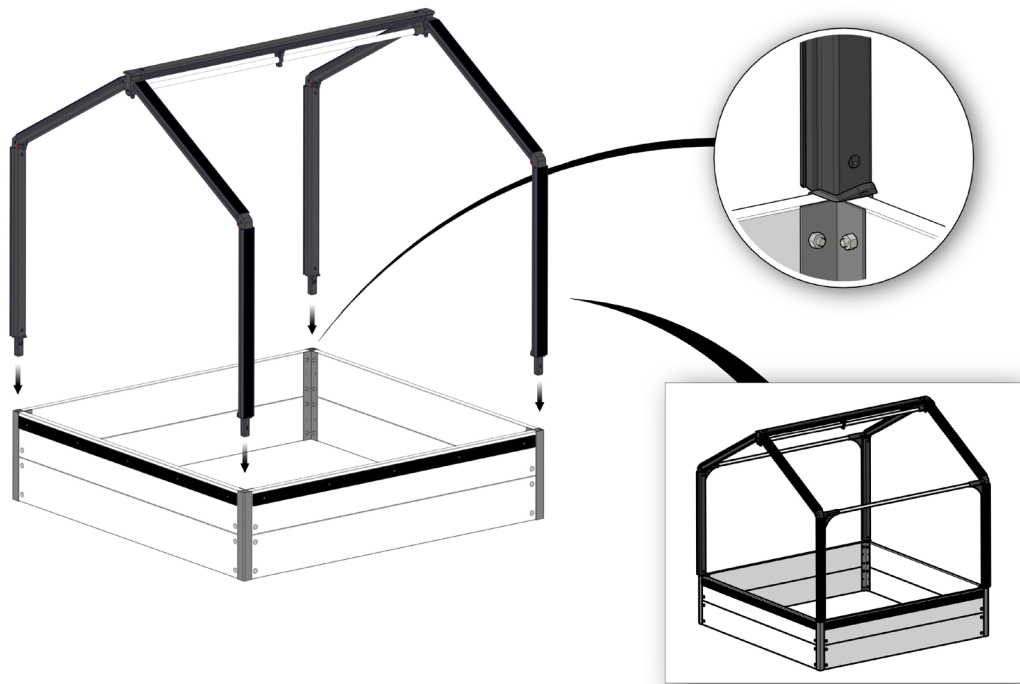


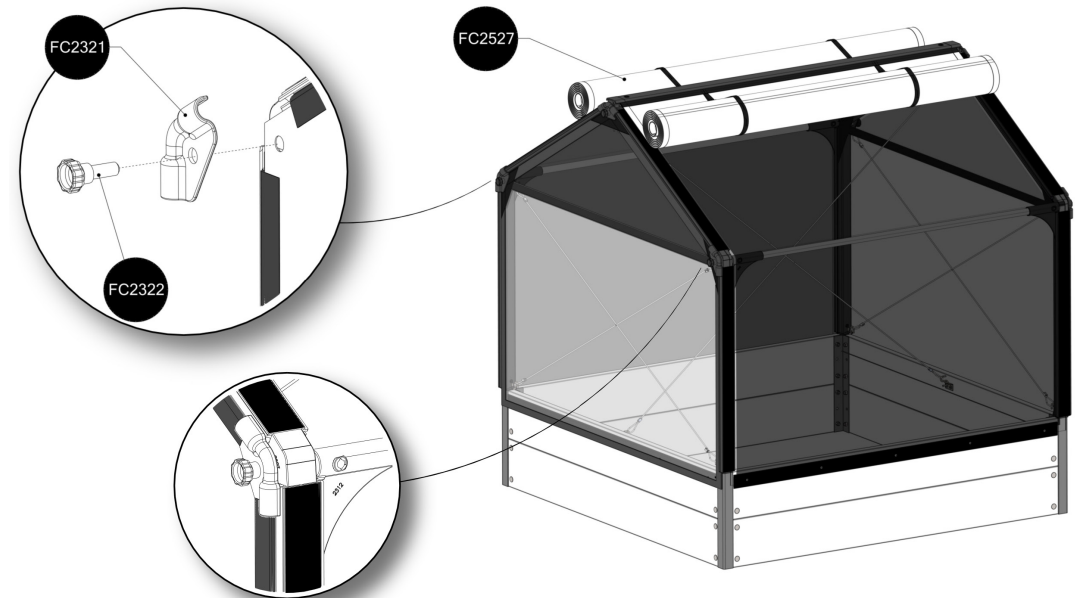
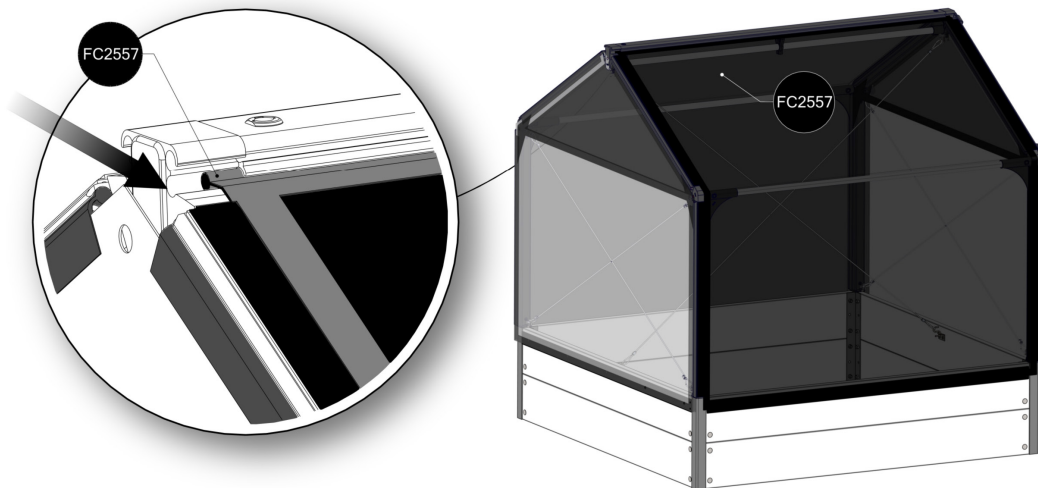
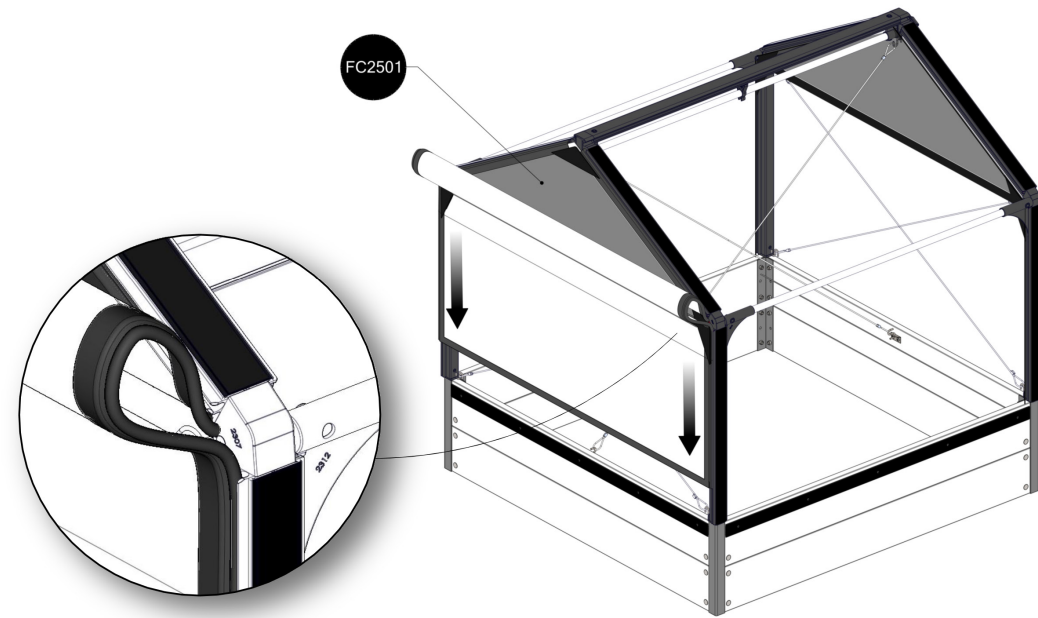
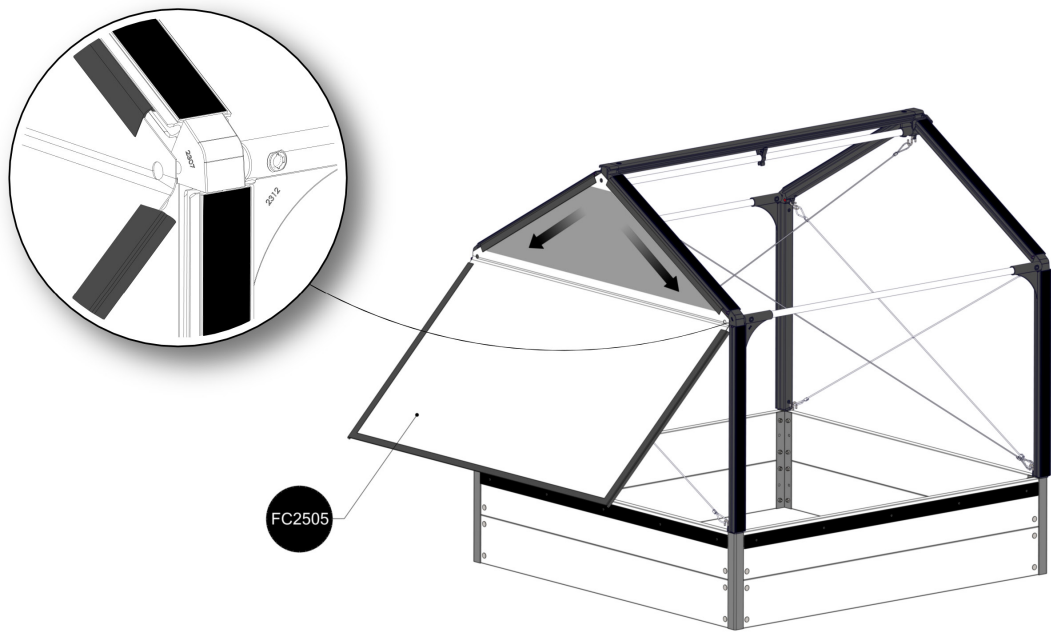
3



4







At temperatures more than 30 °C/ 90 °F the plastic sides must be opened when the GrowCamp is mounted.