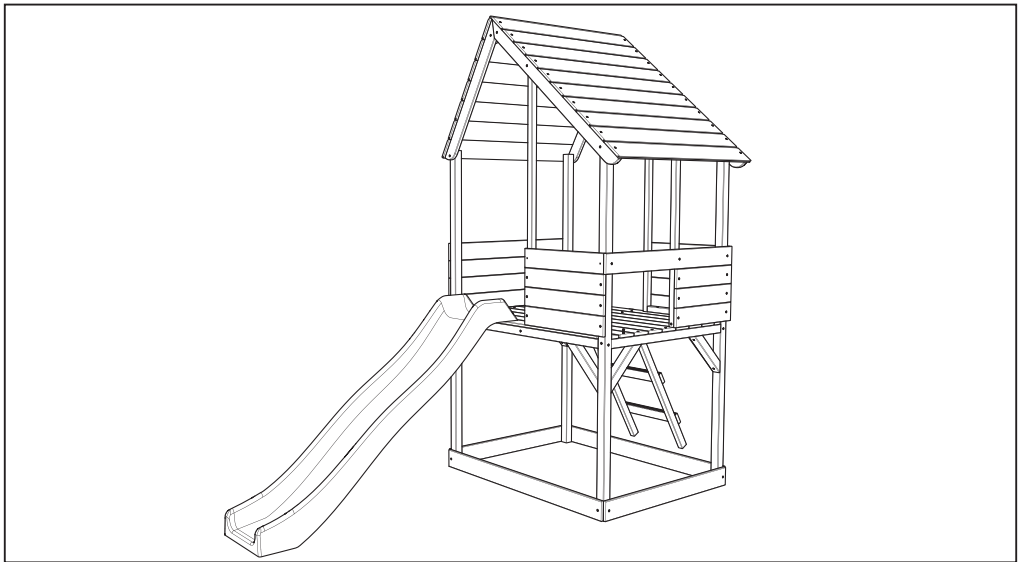


Children's Wooden Playhouse

83844 / 84827 / 84828

Instructions for assembly, maintenance and safe use.
Please retain for future reference.



WARNING!

THIS PRODUCT IS NOT SUITABLE FOR CHILDREN UNDER 36 MONTHS.

CONTAINS SMALL PARTS. CHOKING HAZARD.

ONLY FOR DOMESTIC USE. FOR OUTDOOR USE.

TOY MUST BE ASSEMBLED BY AN ADULT BEFORE USE.

ADULT SUPERVISION IS REQUIRED.

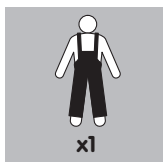
CHILDREN MUST NOT USE THE EQUIPMENT UNTIL PROPERLY INSTALLED.

REMOVE ALL PACKAGING BEFORE GIVING TO YOUR CHILDREN.

ANCHORS THAT ARE SUPPLIED WITH THIS PRODUCT MUST BE FITTED BEFORE USE.

THIS PRODUCT IS INTENDED FOR USE BY CHILDREN FROM AGES 3 YEARS +.

MAXIMUM COMBINED USER WEIGHT 150KGS



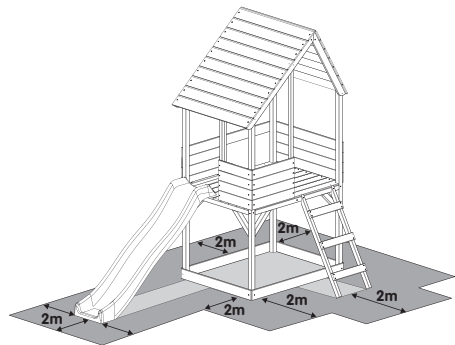
Made by Robovision Ltd

Important advice for assembly, maintenance and safe use

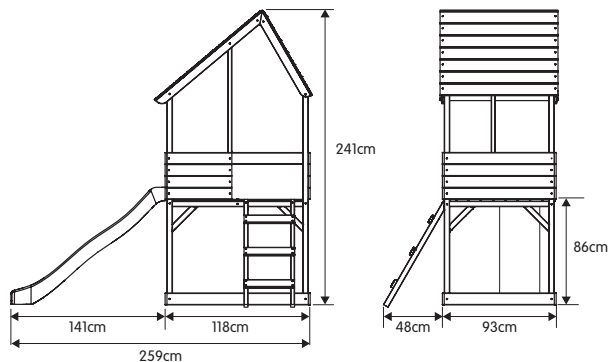
1. Toys must be assembled by an adult before use exactly in accordance with the instructions.
2. Check all parts are present before you start to assemble the product.
3. Place small parts on a tray or similar, to ensure they are not lost.
4. If any parts are missing do not use the product until the replacement parts are fitted.
5. Remove all packaging before giving to your children or allowing them to play with this product.
6. Ensure your product is sited on level ground. Failure to do this may put additional stress on connections and joints and in time could cause them to fail.
7. Ensure your product is located on a soft impact surface like grass. Never locate your product on hard surfaces like concrete or asphalt.
8. Children must not use this product until properly installed.
9. Adult supervision is required at all times to ensure children play safely. Ensure children's clothing is appropriate for the play activity.
10. Equipment should be checked by an adult at the beginning of each season and at regular intervals during the usage season to ensure it is safe.
11. Pay special attention to all connections and fastenings.
12. Parts may need to be replaced if they show signs of wear and tear. Replace any defective parts in accordance with these instructions.
13. Any changes to this toy, e.g. changing or adding an accessory, must be done in accordance with our instructions. Failure to do this will render your guarantee null and void and may make your product unsafe.
14. The age recommendation for this product is clearly stated on the packaging and these instructions. Please adhere to it at all times.
15. When you dispose of this equipment please do so responsibly.

Safe play free space area

The safe play area refers to the zone extending 200cm around the toys on all sides and 250cm above the toy. The safe play area must be free from all obstacles.



Dimensions





Know About Wood

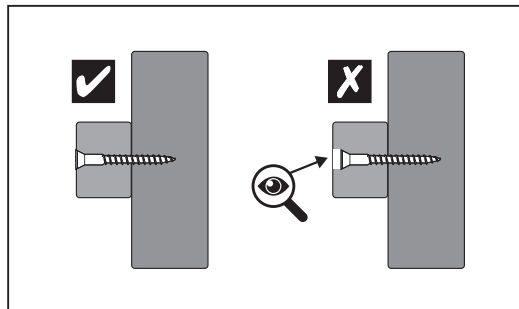
Unlike steel, wood is a natural, organic material and each piece will be unique, bearing its own knots, cracks and variations in colour and, unlike steel, wood will react significantly to changes in atmospheric conditions.

Wood will expand and contract as fluctuations of temperature and humidity affect the water content of the cell structure. In warm sunny weather it will shrink and in wet weather it will expand. As these physical changes do not, necessarily, take place uniformly throughout a piece of wood, forces are set up which cause cracks and splits to arise.

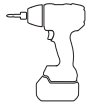
It is not necessary to stain your Wooden frame.

It is made from selected wood which has been pressure treated. This is a process by which preservatives are forced under pressure into the fabric of the timber to protect it from decay and insect damage.

If you do wish to stain your Wooden frame for aesthetic reasons, please use a water-based stain, which is available from any good DIY store.



Tools - You will need:



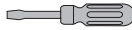
Combi Drill



Pozi #2
Pozi #3



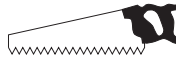
3mm Drill Bit



Screwdriver



Spirit Level

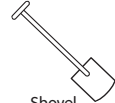


Hand Saw

Also required:



Not Supplied



Shovel

Pack 1

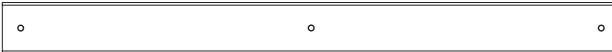
MW2563 **x4** (1755mm)



MW2565 **x2** (1159mm)



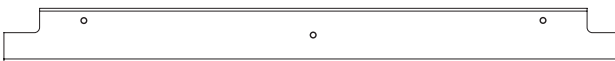
MW2576 **x7** (1159mm)



MW2568 **x7** (532mm)



MW2577 **x2** (1159mm)



MW2006 **x3** (433mm)



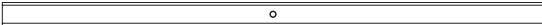
MW2012 **x6** (902mm)



MW2569 **x3** (814mm)



MW2566 **x2** (1069mm)



MW2580 **x2** (800mm)



MW2579 **x2** (1140mm)



Pack 2

MW2009 **x1** (915mm)



MW0172 **x2** (996mm)



MW2014 **x17** (966mm)



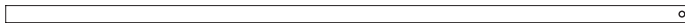
MW2564 **x1** (1174mm)



MW2578 **x2** (200mm)



MW2573 **x2** (1300mm)



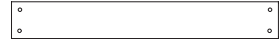
MW2574 **x1** (932mm)



PM2001 **x2**



MW1501 **x3** (414mm)



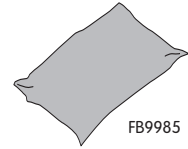
MW2575 **x8** (294mm)



MW2571 **x1** (340mm)



MW2572 **x2** (455mm)



FB9985 **x1**

Subpack - SP3030

4.5 x 30mm **x39**
FA4513



No10 x 38mm **x73**
FA8442



4.5 x 50mm **x45**
FA9705

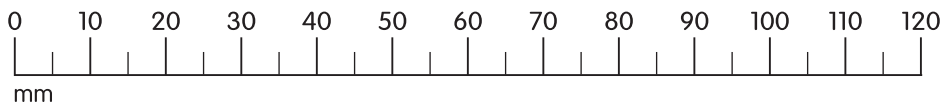
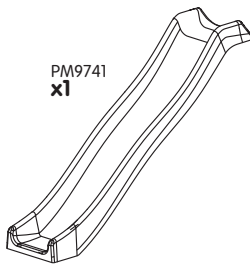


5 x 100mm **x10**
FA9761



Pack 3

PM9741
x1



1

5 x 100mm x4



4.5 x 50mm x4



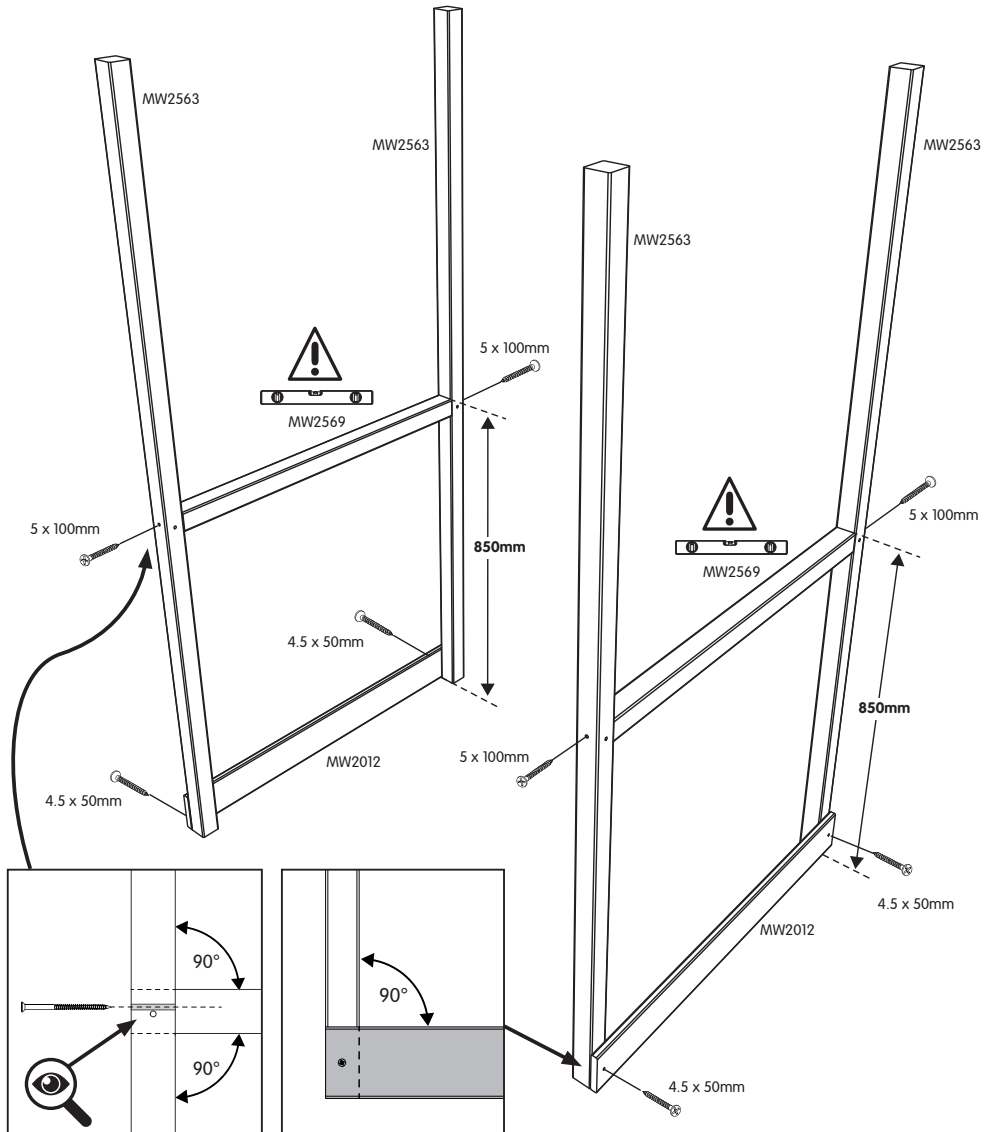
MW2563 x4 (1755mm)



MW2012 x2 (902mm)



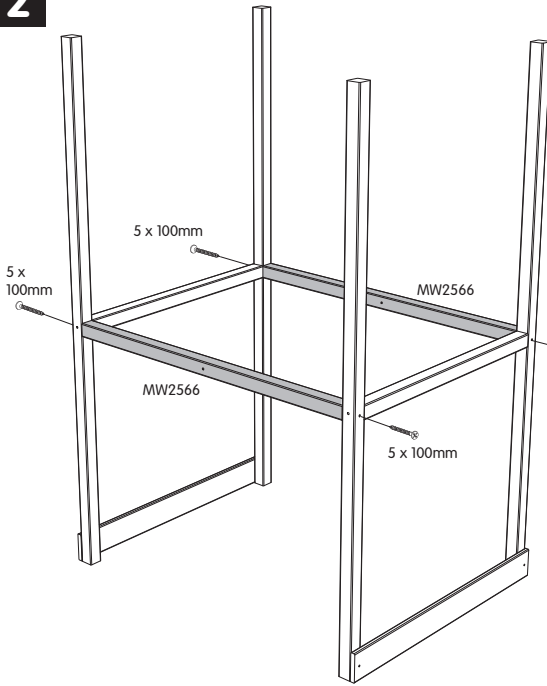
MW2569 x2 (814mm)



6

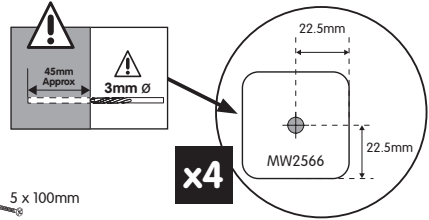
Children's Wooden Playhouse

2

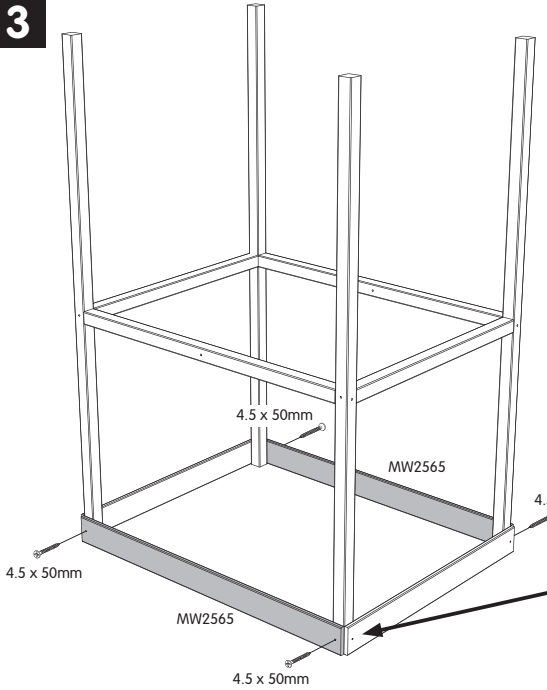


5 x 100mm **x4**

MW2566 **x2** (1069mm)

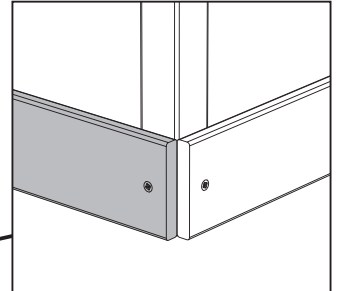


3



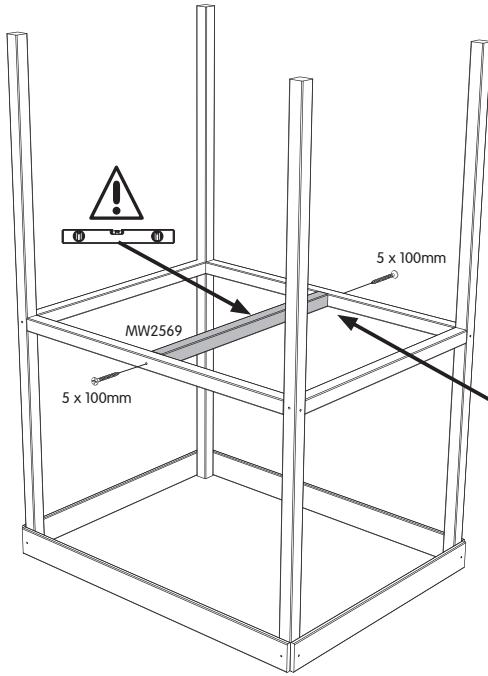
4.5 x 50mm **x4**

MW2565 **x2** (1159mm)



7

4



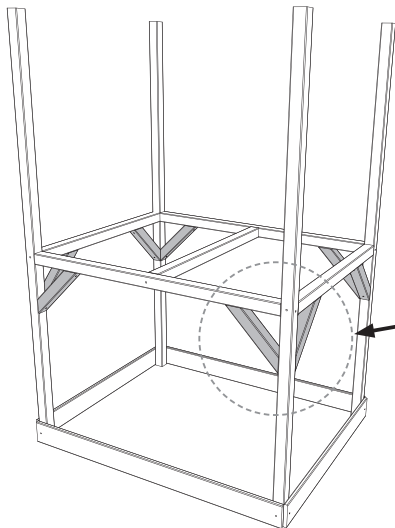
5 x 100mm **x2**



MW2569 **x1** (814mm)



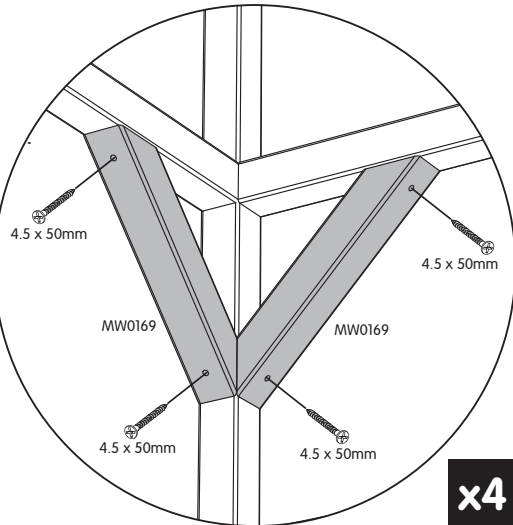
5



MW2575 **x8** (294mm)



4.5 x 50mm **x16**



x4

8

Children's Wooden Playhouse

6

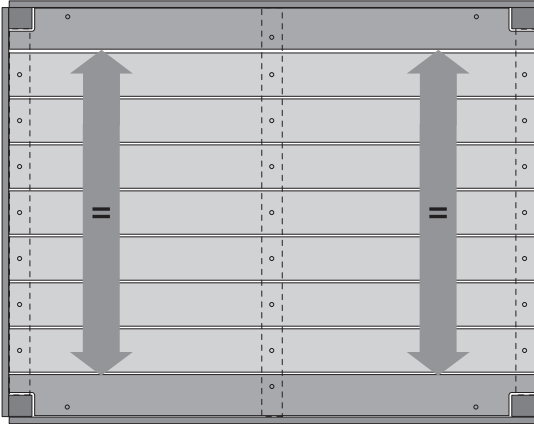
MW2577 **x2** (1159mm)



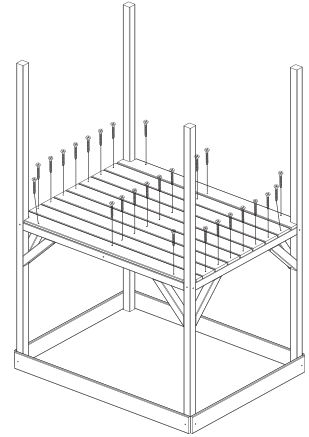
No10 x 38mm **x27**



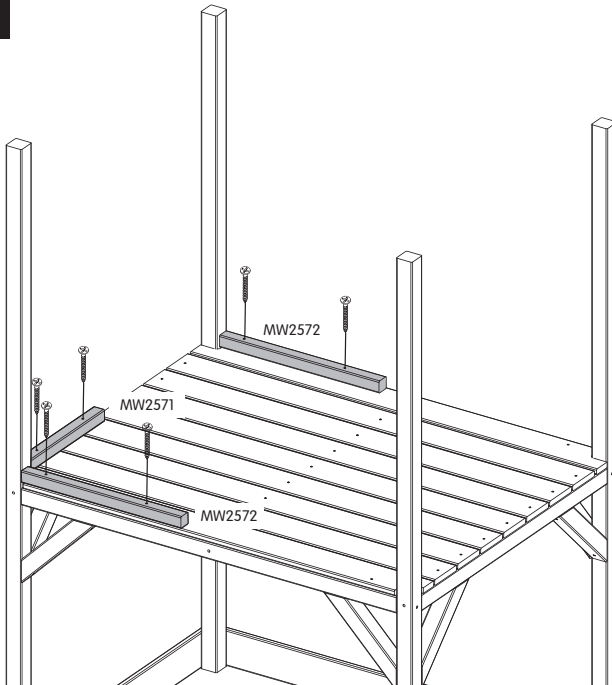
MW2576 **x7** (1159mm)



MW2577
MW2576
MW2576
MW2576
MW2576
MW2576
MW2576
MW2576
MW2576
MW2577



7



4.5 x 50mm **x6**



MW2571 **x1** (340mm)



MW2572 **x2** (455mm)



9

Children's Wooden Playhouse

8

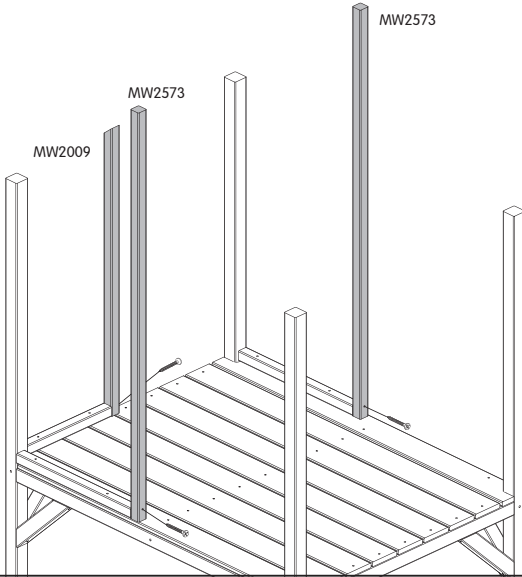
MW2573 **x2** (1300mm)



MW2009 **x1** (915mm)



4.5 x 50mm **x3**



9

MW1501 **x3** (414mm)



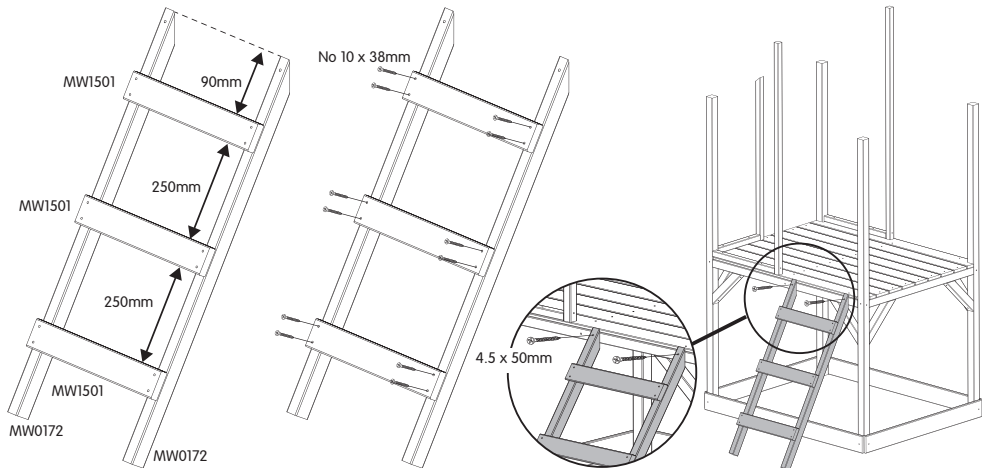
4.5 x 50mm **x2**



MW0172 **x2** (997mm)

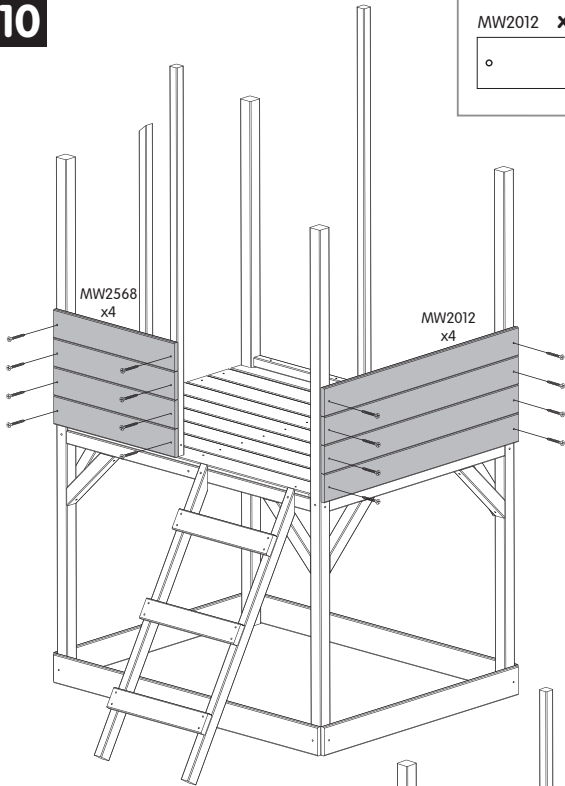


No10 x 38mm **x12**



10

10



MW2012 x4 (902mm)



No10 x 38mm x16



MW2568 x4 (532mm)



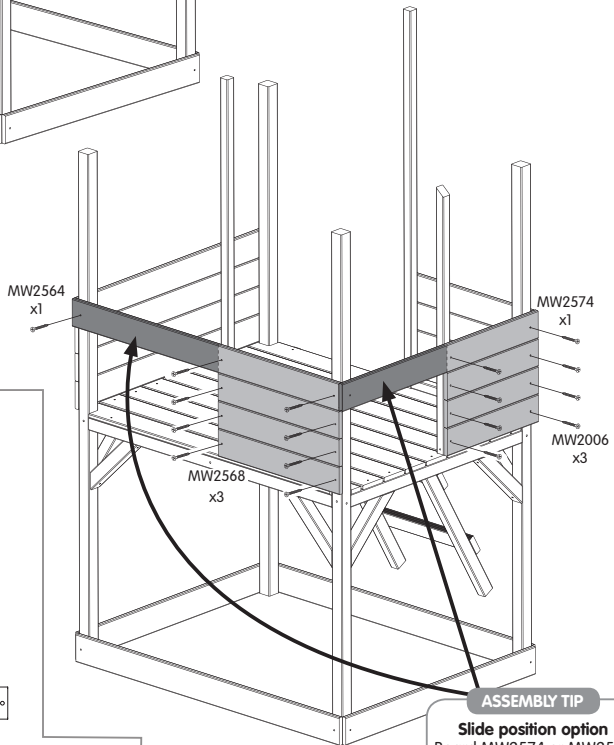
No10 x 38mm x17

MW2006 x3 (433mm)

MW2568 x3 (532mm)

MW2574 x1 (932mm)

MW2564 x1 (1174mm)



ASSEMBLY TIP

Slide position option
Board MW2574 or MW2564 will need to be cut during Stage 14.

11

11

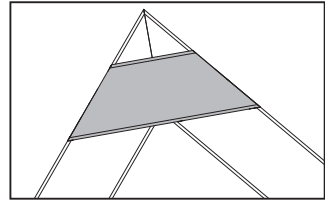
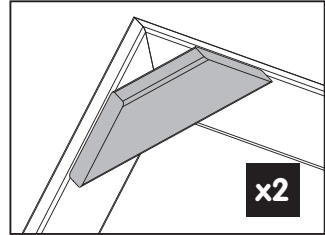
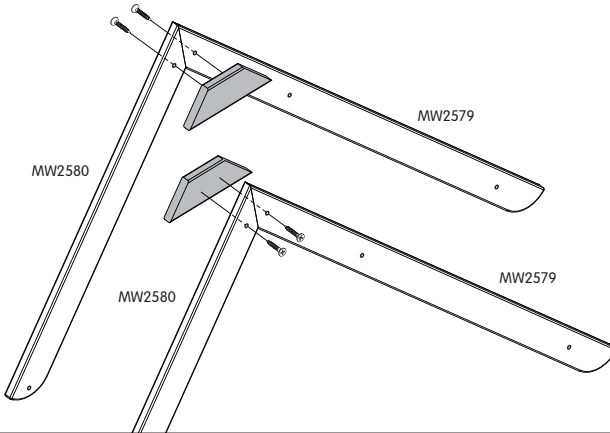
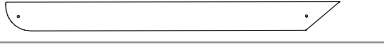
MW2579 x2 (1140mm)

MW2578 x2 (200mm)

4.5 x 30mm x4

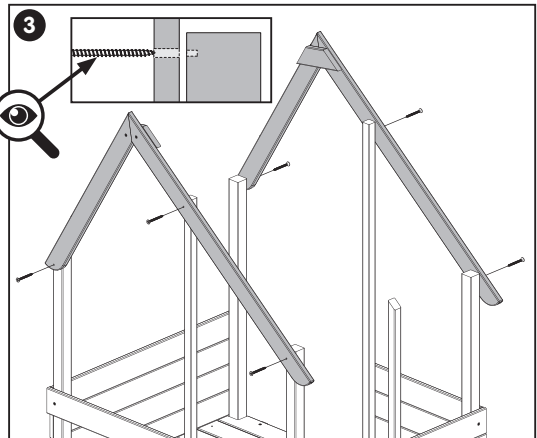
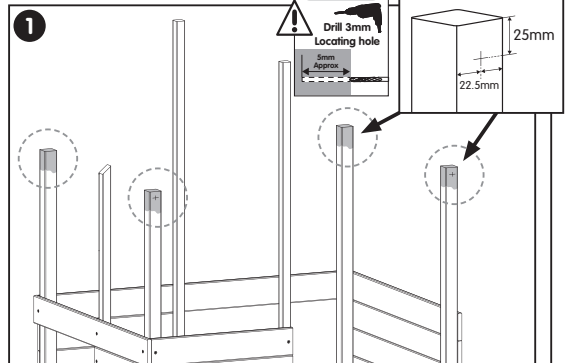
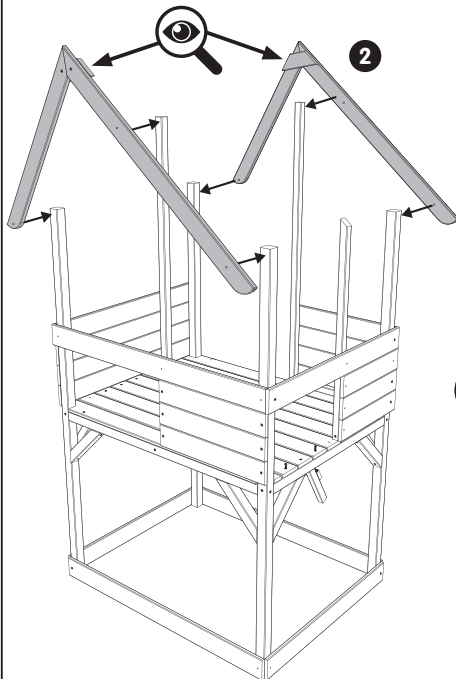


MW2580 x2 (800mm)



12

4.5 x 50mm x6



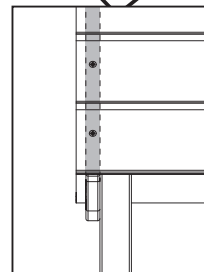
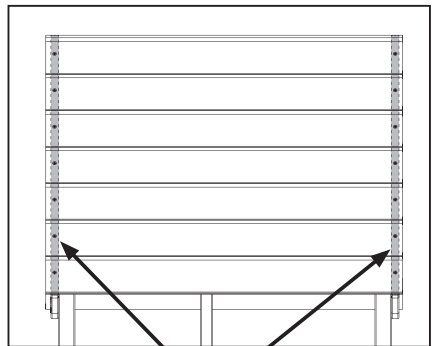
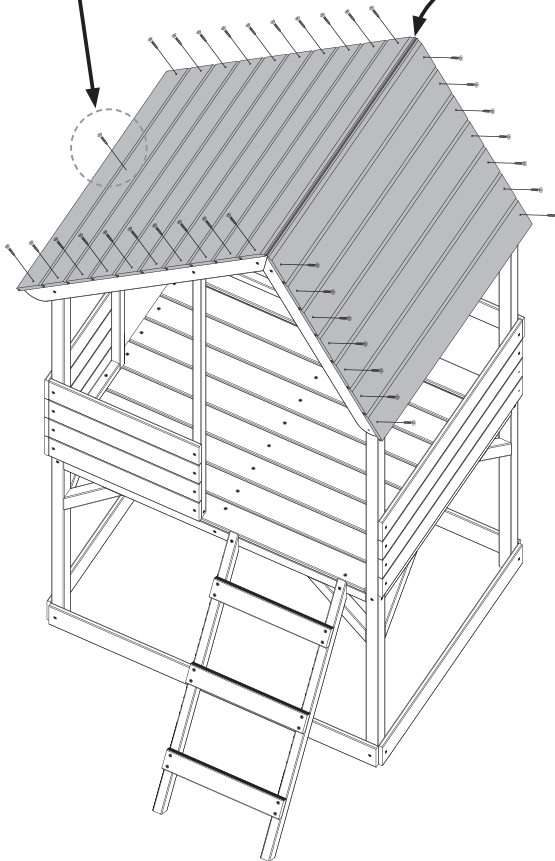
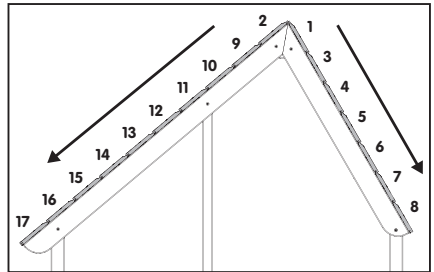
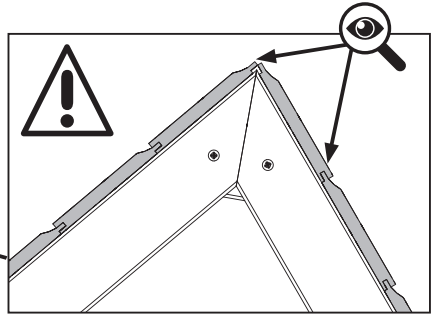
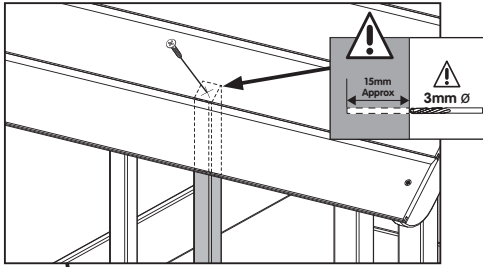
12

Children's Wooden Playhouse

13

MW2014 x17 (966mm)

4.5 x 30mm x35



13

Children's Wooden Playhouse

14

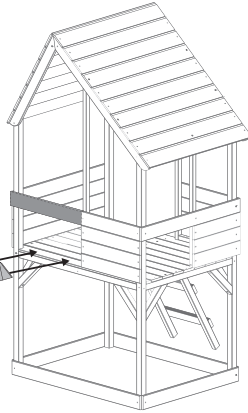
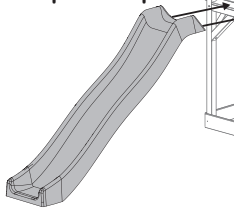
PM9741
x1



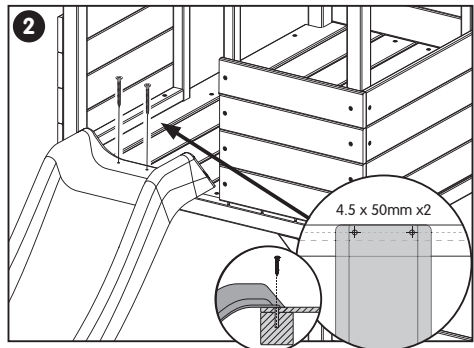
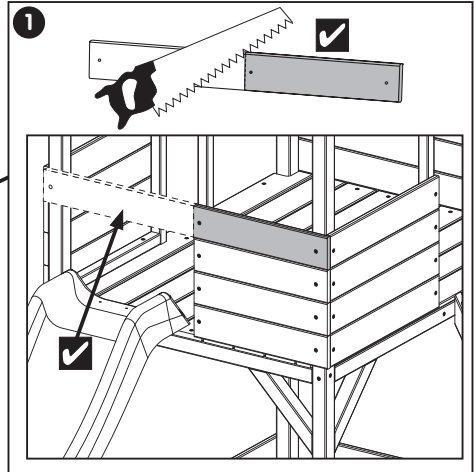
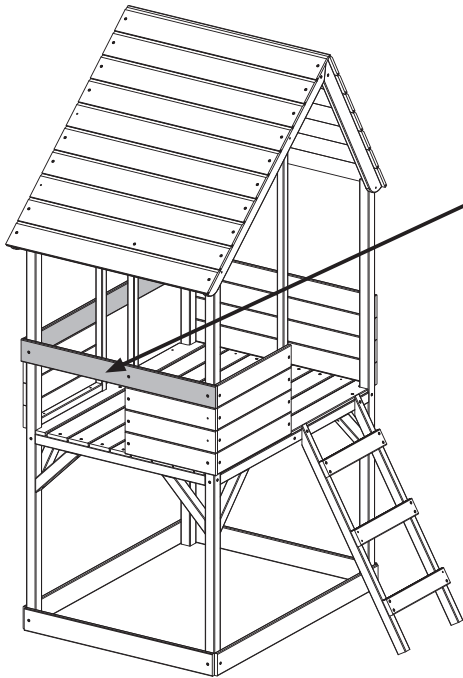
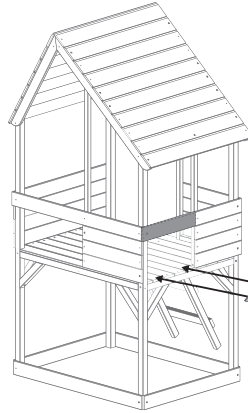
4.5 x 50mm x2



Slide position option



Slide position option



14

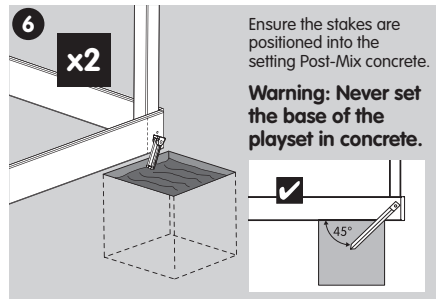
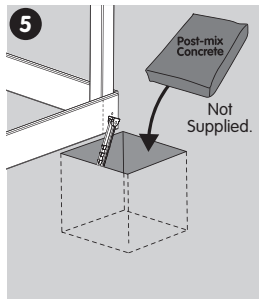
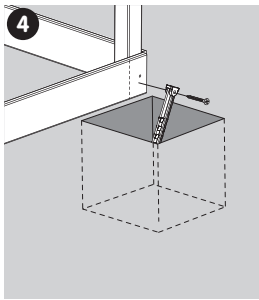
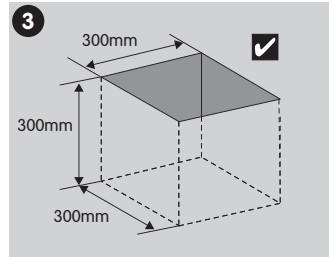
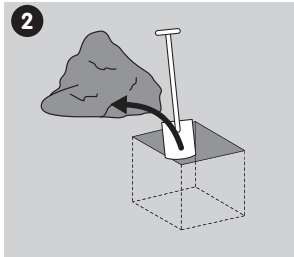
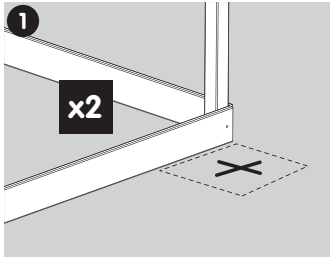
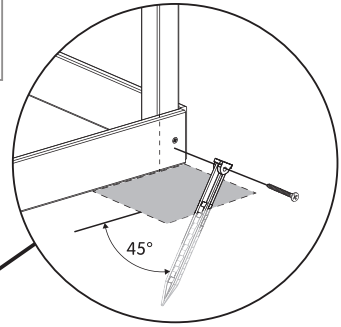
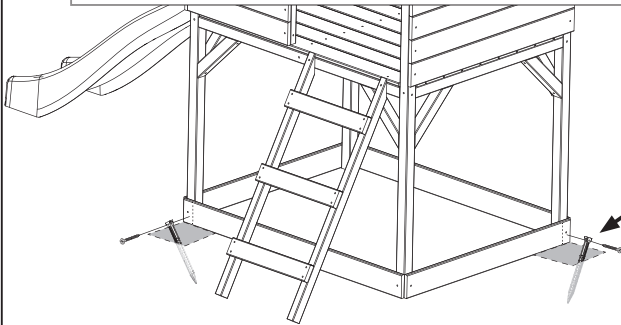
Children's Wooden Playhouse

15

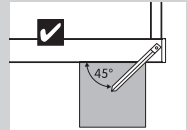
4.5 x 50mm x2



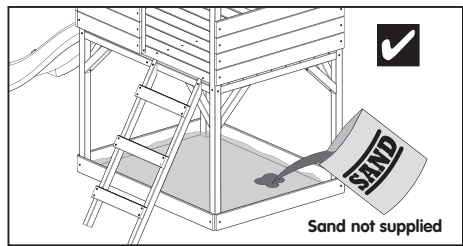
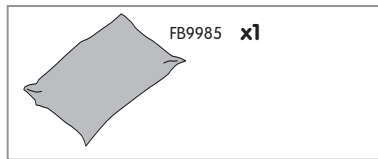
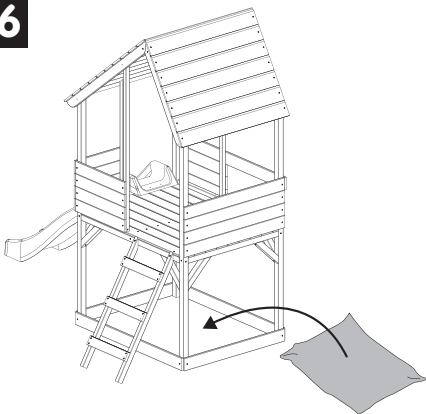
PM2001 x2



Ensure the stakes are positioned into the setting Post-Mix concrete.
Warning: Never set the base of the playset in concrete.



16



Thank you

Thank you for purchasing this product.

Please register your new product on line at tptoys.com

www.tptoys.com/customer/productregistration

Find out about the guarantee for this product,

visit **www.tptoys.com/customer/pages/guaranteeinformation**

For customer services and help with your product,

visit **www.tptoys.com/customer/help**

Your Guarantee Number/Product Batch No is